



HF-Performer Intelligent for TL5 HE/HO lamps

HF-Pi 2 28/35/49/54 TL5 220-240V

HF-Performer Intelligent for Master and ECO TL5 HE/HO, TL-D and PL-L lamps. HF-Performer Intelligent features automatic recognition of the connected lamp and is independently able to adjust its operation parameters exactly to the respective lamp. This results in a substantial benefit, especially for T5 lamps, as it means TL5 HE and HO lamps of the same length can be interchanged. With a choice of seven ballasts, the customer is able to handle efficiently every possible combination of Master TL5 and Eco, TL-D, and PL-L lamps.

Product data

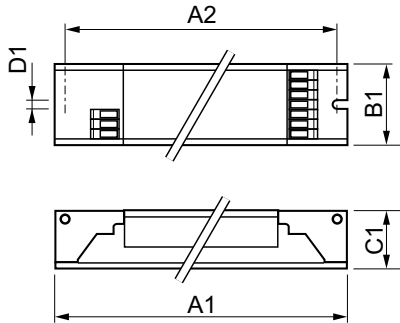
Operating and Electrical		Temperature	
Line Frequency	50 to 60 Hz	Ambient temperature range	-25 °C to 50 °C
Input Frequency	50 to 60 Hz	T-Case Lifetime (Nom)	75 °C
Input Voltage	220 to 240 V	T-Case Maximum (Max)	75 °C
Earth Leakage Current (Max)	0.5 mA		
Inrush Current Width	0.35 ms	Mechanical and Housing	
Inrush Current Peak (Max)	31 A	Housing	L360x30x22
Number of Products on MCB (16A Type B) (Nom)	12		
Wiring		Approval and Application	
Connector Type Input Terminals	Insert	Ingress protection code	IP20 [Finger-protected]
Connector Type Output Terminals	Insert	Energy Efficiency Index	A2 BAT
		Safety Standard	IEC 61347-2-3
		Environmental Standard	ISO 14001

HF-Performer Intelligent for TL5 HE/HO lamps

Approval Marks	CE marking ENEC certificate VDE-EMV certificate
Product Data	
Full product code	871150091502330
Order product name	HF-Pi 2 28/35/49/54 TL5 EII 220-240V
Order code	91502330

Numerator - Quantity Per Pack	1
Numerator - Packs per outer box	12
Material Nr. (12NC)	913700624366
Full product name	HF-Pi 2 28/35/49/54 TL5 220-240V
EAN/UPC - Case	8711500915030

Dimensional drawing



Product	D1	C1	A1	A2	B1
HF-Pi 2 28/35/49/54 TL5 EII 220-240V	4.2 mm	22 mm	360 mm	350 mm	30 mm

