



HF-Performer Intelligent for TL5 HE/HO lamps

HF-Pi 2 14/21/24/39 TL5 220-240V

HF-Performer Intelligent for Master and ECO TL5 HE/HO, TL-D and PL-L lamps HF-Performer Intelligent features automatic recognition of the connected lamp and is independently able to adjust its operation parameters exactly to the respective lamp. This results in a substantial benefit, especially for T5 lamps, as it means TL5 HE and HO lamps of the same length can be interchanged. With a choice of seven ballasts, the customer is able to handle efficiently every possible combination of Master TL5 and Eco, TL-D, and PL-L lamps.

Product data

General Information		Mains voltage performance (AC)	
Application code	E11	Mains voltage performance (AC)	-8%~+6%
Type version	mk1	Mains voltage safety (AC)	-10%~+10%
Lamp type	TL5	Earth leakage current (max.)	0.5 mA
Number of lamps	2 piece/unit	Inrush current width	0.35 ms
Number of products on MCB (16 A type B) (nom.)	12	Constant wattage deviation	-2%/+2%
Automatic restart	Yes	Ballast factor (nom.)	1.00
		Power losses (nom.)	2.9-4.6 W
		Inrush current peak (max.)	31 A
		Efficiency at full load [%]	93.44 %
Operating and Electrical		Wiring	
Input Voltage	220 to 240 V	Connector type input terminals	Insert
Input frequency	50 to 60 Hz	Cable capacity output wires mutual (nom.)	70 pF
Ignition method	Warm Start	Connector type output terminals	Insert
Crest factor (max.)	1.7	Cable length hot-wiring	0.75 m
Ignition time (max.)	5.0 s		

HF-Performer Intelligent for TL5 HE/HO lamps

Wire strip length	8.0-9.0 mm
Input terminal cross section	0.50-1.00 mm ²
Output terminal cross section	0.50-1.00 mm ²
Cable capacity output wires to earth (nom.)	70 pF

System characteristics

Rated ballast-lamp power	14-39 W
Power loss on TL5 HO	3.6/4.6 W
Lamp power on TL5 HO	46.8/71.2 W
System power on TL5 HO	50.4/75.8 W
Rated lamp power on TL5 HO	24/39 W
Rated lamp power on TL5 HE	14/21 W
System power on TL5 HE	31.5/46.7 W
Lamp power on TL5 HE	28.6/42.8 W
Power loss on TL5 HE	2.9/3.9 W

Temperature

T-ambient (max.)	50 °C
T-ambient (min.)	-25 °C
T storage (max.)	80 °C
T storage (min.)	-40 °C
T-case lifetime (nom.)	75 °C
T-Case maximum (max.)	75 °C
T-Ignition (max.)	50 °C
T-Ignition (min.)	-25 °C

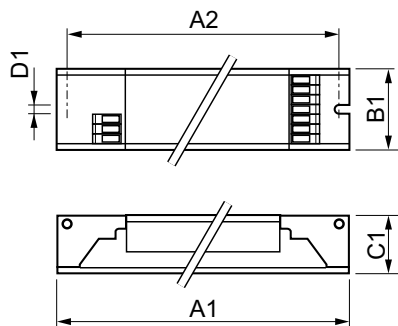
Mechanical and Housing

Housing	L360x30x22
---------	------------

Emergency Operation

Nominal light output after 60 seconds	100% of EBLF
Battery voltage lamp operation	198-276
Emergency ballast lumen factor (EBLF) (nom.)	100 %

Dimensional drawing



HF-Pi 2 14/21/24/39 TL5 EII 220-240V

Nominal light output after 5 seconds	50% of EBLF
--------------------------------------	-------------

Approval and Application

Energy efficiency index	A2 BAT
IP classification	IP 20 [Ingress Protection 20]
EMI 9 kHz ... 30 MHz	EN55015
EMI 30 MHz ... 1,000 MHz	EN 55022 Class B
Safety standard	IEC 61347-2-3
Performance standard	IEC 60929
Quality standard	ISO 9000:2000
Environmental standard	ISO 14001
Harmonic current emission standard	IEC 61000-3-2
EMC immunity standard	IEC 61547
Vibration standard	IEC68-2-6 F c
Bumps standard	IEC 68-2-29 Eb
Humidity standard	EN 61347-2-3 clause 11
Approval marks	CE marking ENEC certificate VDE-EMV certificate
Temperature marking	Yes
Emergency standard	IEC 60598-2-22
Humming and noise level	Inaudible

Product Data

Full product code	871150091500930
Order product name	HF-Pi 2 14/21/24/39 TL5 EII 220-240V
EAN/UPC – product	8711500915009
Order code	91500930
SAP numerator – quantity per pack	1
Numerator – packs per outer box	12
SAP material	913700624266
SAP net weight (piece)	0.290 kg

Product	D1	C1	A1	A2	B1
HF-Pi 2 14/21/24/39 TL5 EII 220-240V	4.2 mm	22 mm	360 mm	350 mm	30 mm

HF-Performer Intelligent for TL5 HE/HO lamps

