

PHILIPS

Lighting



HID-Basic BSN/BMH MK4 semi-parallel for SON/CDO/CDM/MH/ HPI

BSN 400 K407-ITS 230/240V 50Hz BC3-166

Impregnated electromagnetic copper ballasts for use with an external semi-parallel ignitor for CDM, CDO, MH, HPI (Plus) and SON lamps

Product data

General Information		Power losses (nom.)	
Application code	K407-A2-ITS		33/34.5 W
Design	BC3-166	Wiring	
Lamp type	SON/HPI	Wire strip length	7.0 mm
Number of lamps	1 piece/unit	Ballast contact wire cross section	1.50-4.00 mm ²
Operating and Electrical		Connector type	Screw
Input Voltage	230 V (default) or 240 V	System characteristics	
Input frequency	50 Hz	Capacitor	45µF/250V
Power factor 100% load (nom.)	0.85	Rated ballast-lamp power	400 W
Mains voltage performance (AC)	-8% - +6%	Recommended ignitor	for SON/CDO/CDM lamps ignitor SKD 578 (913700655366) or series digital SUD40 (913700193591)
Mains voltage safety (AC)	-10% - +10%	Temperature	
Input current with PF correction	2.20 A	T storage (max.)	130 °C
Input current without PF Correction	4.45 A	T storage (min.)	-30 °C
Power factor without PF compensation (nom.)	0.40		

HID-Basic BSN/BMH MK4 semi-parallel for SON/CDO/CDM/MH/HPI

T-winding (max.)	130 °C
Delta-T normal conditions	80 °C

Approval and Application

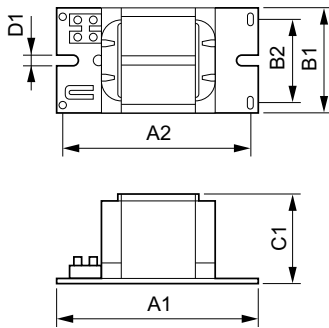
Active temperature protection	Yes
Approval marks	CE marking ENEC certificate

Product Data

Full product code	872790088704400
Order product name	BSN 400 K407-A2-ITS 230/240V 50Hz BC3

EAN/UPC – product	8711500881571
Order code	88704400
SAP numerator – quantity per pack	1
Numerator – packs per outer box	2
SAP material	913700277826
SAP net weight (piece)	4.950 kg

Dimensional drawing



Product	D1	C1	A1	A2	B1	B2
BSN 400 K407-A2-	6.5 mm	83.0	166.0	145.0	97.0	78.5
ITS 230/240V 50Hz		mm	mm	mm	mm	mm
BC3						

BSN 400 K407-ITS 230/240V 50Hz BC3-166

