

# HID-HeavyDuty BSN semi-parallel for SON/CDO/MH/HPI

## BSN 400 L33-TS 230V 50Hz HD3-166

Encapsulated electromagnetic copper/iron ballasts for use with an external semi-parallel ignitor for CDM, CDO, MH, HPI (Plus) and SON lamps

### Product data

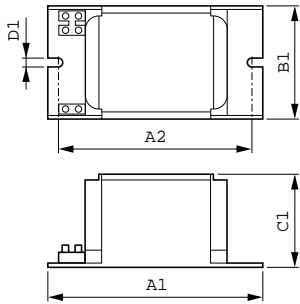
General Information		Connector type	
Application code	L33-A2-TS	Connector type	Screw
Design	HD3-166	<b>System characteristics</b>	
Lamp type	SON/HPI	Capacitor	45µF/250V
Number of lamps	1 piece/unit	Rated ballast-lamp power	400 W
<b>Operating and Electrical</b>		Recommended ignitor	for SON/CDO lamps SND 58 (913700185166)
Input Voltage	230 V	<b>Temperature</b>	
Input frequency	50 Hz	T storage (max.)	130 °C
Power factor 100% load (nom.)	0.87	T storage (min.)	-30 °C
Mains voltage performance (AC)	-8% - +6%	T-winding (max.)	130 °C
Mains voltage safety (AC)	-10% - +10%	Delta-T normal conditions	70 °C
Input current with PF correction	2.20 A	<b>Approval and Application</b>	
Input current without PF Correction	4.45 A	Active temperature protection	Yes
Power factor without PF compensation (nom.)	0.40	Approval marks	CE marking ENEC certificate
Power losses (nom.)	28.0 W	<b>Product Data</b>	
<b>Wiring</b>		Full product code	871150005976530
Wire strip length	7.0 mm		
Ballast contact wire cross section	0.70-6.00 mm <sup>2</sup>		

## HID-HeavyDuty BSN semi-parallel for SON/CDO/MH/HPI

Order product name	BSN 400 L33-A2-TS 230V 50Hz HD3-166
EAN/UPC – product	8711500059765
Order code	05976530
SAP numerator – quantity per pack	1

Numerator – packs per outer box	4
SAP material	913700226926
SAP net weight (piece)	4.550 kg

### Dimensional drawing



Product	D1	C1	A1	A2	B1
BSN 400 L33-A2-TS 230V 50Hz HD3-166	6.2 mm	84.0 mm	166.0 mm	147.5 mm	102.0 mm

BSN 400 L33-TS 230V 50Hz HD3-166

