

HID-HeavyDuty BSN semi-parallel for SON/CDO/MH/HPI

BSN 70 L34-TS 240V 50Hz HD1-118

Encapsulated electromagnetic copper/iron ballasts for use with an external semi-parallel ignitor for CDM, CDO, MH, HPI (Plus) and SON lamps

Product data

General Information		Connector type	Screw
Application code	L34-A2-TS	System characteristics	
Design	HD1-118	Capacitor	12µF/250V
Lamp type	SON/CDO	Rated ballast-lamp power	70 W
Number of lamps	1 piece/unit	Recommended ignitor	for SON/CDO lamps SND57 (913700184966) or series digital SUD10 (913700195891)
Operating and Electrical		Temperature	
Input Voltage	240 V	T storage (max.)	130 °C
Input frequency	50 Hz	T storage (min.)	-30 °C
Power factor 100% load (nom.)	0.87	T-winding (max.)	130 °C
Mains voltage performance (AC)	-8% - +6%	Delta-T normal conditions	55 °C
Mains voltage safety (AC)	-10% - +10%	Approval and Application	
Input current with PF correction	0.45 A	Active temperature protection	Yes
Input current without PF Correction	1.00 A	Approval marks	CE marking ENEC certificate
Power factor without PF compensation (nom.)	0.35		
Power losses (nom.)	11.5 W		
Wiring			
Wire strip length	7.0 mm		
Ballast contact wire cross section	0.70-6.00 mm ²		

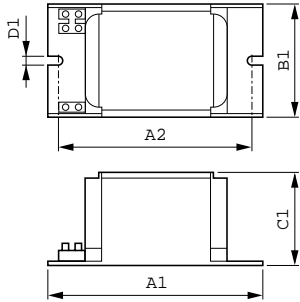
HID-HeavyDuty BSN semi-parallel for SON/CDO/MH/HPI

Product Data

Full product code	871150005970331
Order product name	BSN 70 L34-A2-TS 240V 50Hz HD1-118
EAN/UPC – product	8711500059703
Order code	05970331
SAP numerator – quantity per pack	1

Numerator – packs per outer box	6
SAP material	913700226626
SAP net weight (piece)	1.280 kg

Dimensional drawing



Product	D1	C1	A1	A2	B1
BSN 70 L34-A2-TS 240V 50Hz HD1-118	6.2 mm	53.0 mm	118.0 mm	103.0 mm	65.0 mm

BSN 70 L34-TS 240V 50Hz HD1-118

