



# CoreLine Panel

## RC132V G4 LED36S/840 PSU W30L120 OC

840 neutral white - Power supply unit

Whether for a new building or renovation of an existing space, customers want lighting solutions that provide quality of light and substantial energy and maintenance savings. The new CoreLine Panel range of LED products can be used to replace functional luminaires in general lighting applications. Both Non-Office Compliant (NOC) version and Office Compliant version (OC) are now available. The process of selecting, installing and maintaining is so easy – it's a simple switch.

### Product data

General Information	
Beam angle of light source	- °
Light source colour	840 neutral white
Light source replaceable	No
Number of gear units	1 unit
Driver/power unit/transformer	PSU [ Power supply unit]
Driver included	Yes
Optic type	90 [ Beam angle 90°]
Luminaire light beam spread	90°
Control interface	-
Connection	Connection unit 2-pole
Cable	-
Protection class IEC	Safety class II (II)
Glow-wire test	650/30 [ Temperature 650 °C, duration 30 s]
Flammability mark	NO [-]
CE mark	CE mark
ENEC mark	ENEC mark
Warranty period	5 years

Constant light output	No
Number of products on MCB (16 A type B)	40
Photobiological risk	Photobiological risk group 0 @ 200mm to EN62471
EU RoHS compliant	Yes
Unified glare rating CEN	19

### Light Technical

Saturated Red	<50
---------------	-----

### Operating and Electrical

Input Voltage	220 to 240 V
Input frequency	50 or 60 Hz
Initial CLO power consumption	- W
Average CLO power consumption	- W
Inrush current	5,2 A
Inrush time	0.051 ms
Power factor (min.)	0.9

# CoreLine Panel

## Controls and Dimming

Dimmable	No
----------	----

## Mechanical and Housing

Housing material	Steel
Reflector material	Acrylate
Optic material	Polystyrene
Optical cover/lens material	Polystyrene
Fixation material	-
Optical cover/lens finish	Opal
Overall length	1195 mm
Overall width	295 mm
Overall height	11 mm
Colour	White
Dimensions (height x width x depth)	11 x 295 x 1195 mm (0.4 x 11.6 x 47 in)

## Approval and Application

Ingress protection code	IP20/44 [ Finger-protected; wire-protected, splash-proof]
Mech. impact protection code	IK03 [ 0.3 J]

## Initial Performance (IEC Compliant)

Initial luminous flux (system flux)	3600 lm
Luminous flux tolerance	+/-10%
Initial LED luminaire efficacy	123 lm/W
Init. Corr. Colour Temperature	4000 K
Init. Colour rendering index	>80
Initial chromaticity	(0.38, 0.38) SDCM ≤3
Initial input power	29 W
Power consumption tolerance	+/-10%

## Over Time Performance (IEC Compliant)

Control gear failure rate at median useful life	5 %
50,000 h	
Lumen maintenance at median useful life*	-
35,000 h	
Lumen maintenance at median useful life*	L80
50,000 h	
Lumen maintenance at median useful life*	-
75,000 h	
Lumen maintenance at median useful life*	-
100,000 h	

## Application Conditions

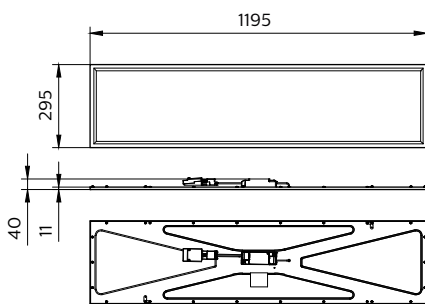
Ambient temperature range	+10 to +40 °C
Performance ambient temperature Tq	25 °C
Maximum dimming level	Not applicable
Suitable for random switching	Not applicable

## Product Data

Full product code	871016336044700
Order product name	RC132V G4 LED36S/840 PSU W30L120 OC
EAN/UPC – product	8710163360447
Order code	36044700
SAP numerator – quantity per pack	1
Numerator – packs per outer box	1
SAP material	911401878880
SAP net weight (piece)	2.720 kg

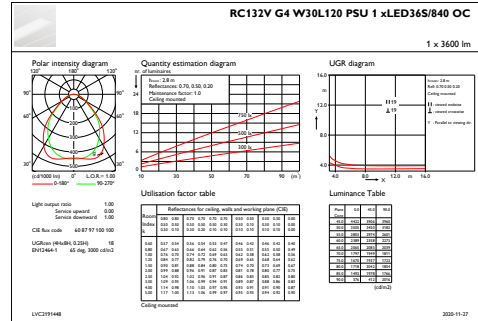
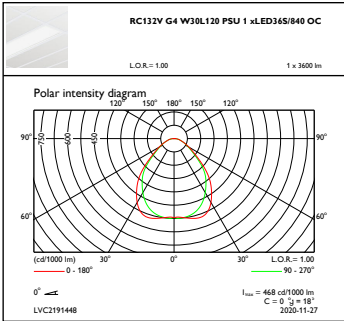


## Dimensional drawing



CoreLine Panel RC132V/RC133V

Photometric data



OFPC1\_

IFGU1\_RC132VG4W30L120PSU1xLED36S840OC

