



GreenPerformance Troffer

SM100C LED37S 865 W30L120 PSU UNV G3

Variable linear-lens array in polycarbonate cover -

GreenPerform Troffer improves the compact design of the last generation with performance improvement and more variants for different markets. Integrates with all available systems: POE, InterAct office wireless, InterAct Office Pro, ActiLume controller. GreenPerform Troffer offers additional energy saving and connected features.

Product data

General Information		Operating and Electrical	
Light source colour	865 cool daylight	Light source engine type	LED
Light source replaceable	No	Input Voltage	110 to 277 V
Number of gear units	1 unit	Input frequency	50 to 60 Hz
Driver included	Yes	Inrush current	12.6 A
Optical cover/lens type	VAR-PC [Variable linear-lens array in polycarbonate cover]	Inrush time	176 ms
Control interface	-	Power factor (min.)	0.9
Protection class IEC	Safety class I (I)	Controls and Dimming	
Glow-wire test	60030 [Temperature 600 °C, duration 30 s]	Dimmable	No
Flammability mark	F [For mounting on normally flammable surfaces]	Mechanical and Housing	
CE mark	CE mark	Housing material	Metal
Warranty period	3 years	Optic material	Polycarbonate
Constant light output	No	Optical cover/lens material	Polycarbonate
Number of products on MCB (16 A type B)	24	Fixation material	Steel

GreenPerformance Troffer

Optical cover/lens finish	Ribbed
Overall length	1197 mm
Overall width	297 mm
Overall height	56 mm
Colour	White

Approval and Application

Ingress protection code	IP20 [Finger-protected]
Mech. impact protection code	IK03 [0.3 J]

Initial Performance (IEC Compliant)

Initial luminous flux (system flux)	3700 lm
Luminous flux tolerance	+/-10%
Initial LED luminaire efficacy	116 lm/W
Init. Corr. Colour Temperature	6500 K
Init. Colour rendering index	80
Initial chromaticity	SDCM<4
Initial input power	32 W
Power consumption tolerance	+/-10%

Over Time Performance (IEC Compliant)

Median useful life L70B50	50000 h
---------------------------	---------

Application Conditions

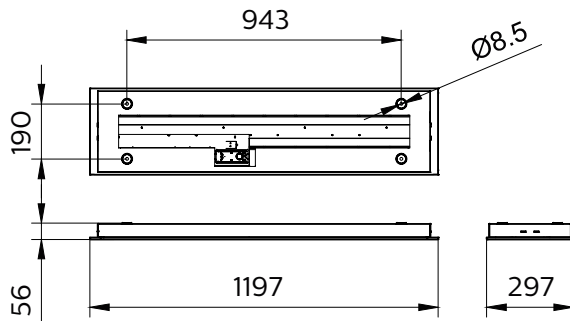
Ambient temperature range	-20 to +40 °C
Suitable for random switching	No

Product Data

Full product code	911401519951
Order product name	SM100C LED375 865 W30L120 PSU UNV G3
Order code	01519951
SAP numerator – quantity per pack	1
Numerator – packs per outer box	2
SAP material	911401519951
SAP net weight (piece)	5.300 kg



Dimensional drawing



SM100C LED375 865 W30L120 PSU UNV G3

