



# Green Perform Troffer

## SM100C LED37S 840 W30L120 PSD G3

Variable linear-lens array in polycarbonate cover -

GreenPerform Troffer improves the compact design of the last generation with performance improvement and more variants for different markets. Integrates with all available systems: POE, InterAct office wireless, InterAct Office Pro, ActiLume controller, GreenPerform Troffer offers additional energy saving and connected features.

### Product data

General information	
Light source colour	840 neutral white
Light source replaceable	No
Number of gear units	1 unit
Driver included	Yes
Optical cover/lens type	VAR-PC [ Variable linear-lens array in polycarbonate cover]
Control interface	DALI
Protection class IEC	Safety class I (I)
Glow-wire test	60030 [ Temperature 600 °C, duration 30 s]
Flammability mark	F [ For mounting on normally flammable surfaces]
CE mark	CE mark
Warranty period	3 years
Constant light output	No
Number of products on MCB (16 A type B)	24
Light source engine type	LED
Operating and electrical	
Input Voltage	220 to 240 V

Input frequency	50 to 60 Hz
Inrush current	21 A
Inrush time	280 ms
Power factor (min.)	0.9
Controls and dimming	
Dimmable	Yes
Mechanical and housing	
Housing material	Metal
Optic material	Polycarbonate
Optical cover/lens material	Polycarbonate
Fixation material	Steel
Optical cover/lens finish	Ribbed
Overall length	1197 mm
Overall width	297 mm
Overall height	56 mm
Colour	White

# Green Perform Troffer

## Approval and application

Ingress protection code	IP20 [ Finger-protected]
Mech. impact protection code	IK03 [ 0.3 J]

## Initial performance (IEC compliant)

Initial luminous flux (system flux)	3700 lm
Luminous flux tolerance	+/-10%
Initial LED luminaire efficacy	116 lm/W
Init. Corr. Colour Temperature	4000 K
Init. Colour rendering index	80
Initial chromaticity	SDCM<4
Initial input power	32 W
Power consumption tolerance	+/-10%

## Over time performance (IEC compliant)

Median useful life L70B50	50000 h
---------------------------	---------

## Application conditions

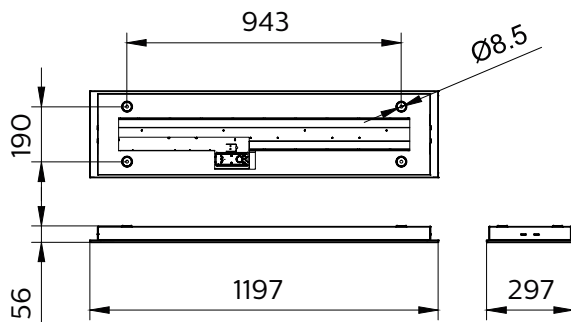
Ambient temperature range	-20 to +40 °C
Suitable for random switching	No

## Product data

Full product code	911401519551
Order product name	SM100C LED375 840 W30L120 PSD G3
Order code	01519551
SAP numerator – quantity per pack	1
Numerator – packs per outer box	2
SAP material	911401519551
Copy Net Weight (Piece)	5.300 kg



## Dimensional drawing



SM100C LED375 840 W30L120 PSD G3

