



Green Perform Troffer

SM100C LED37S 840 W30L120 PSU G3

Variable linear-lens array in polycarbonate cover -

GreenPerform Troffer improves the compact design of the last generation with performance improvement and more variants for different markets. Integrates with all available systems: POE, InterAct office wireless, InterAct Office Pro, ActiLume controller, GreenPerform Troffer offers additional energy saving and connected features.

Product data

General information	
Light source colour	840 neutral white
Light source replaceable	No
Number of gear units	1 unit
Driver included	Yes
Optical cover/lens type	VAR-PC [Variable linear-lens array in polycarbonate cover]
Control interface	-
Protection class IEC	Safety class I (I)
Glow-wire test	60030 [Temperature 600 °C, duration 30 s]
Flammability mark	F [For mounting on normally flammable surfaces]
CE mark	CE mark
Warranty period	3 years
Constant light output	No
Number of products on MCB (16 A type B)	24
Light source engine type	LED
Operating and electrical	
Input Voltage	220 to 240 V

Input frequency	50 to 60 Hz
Inrush current	3 A
Inrush time	62 ms
Power factor (min.)	0.9
Controls and dimming	
Dimmable	No
Mechanical and housing	
Housing material	Metal
Optic material	Polycarbonate
Optical cover/lens material	Polycarbonate
Fixation material	Steel
Optical cover/lens finish	Ribbed
Overall length	1197 mm
Overall width	297 mm
Overall height	56 mm
Colour	White

Green Perform Troffer

Approval and application

Ingress protection code	IP20 [Finger-protected]
Mech. impact protection code	IK03 [0.3 J]

Initial performance (IEC compliant)

Initial luminous flux (system flux)	3700 lm
Luminous flux tolerance	+/-10%
Initial LED luminaire efficacy	116 lm/W
Init. Corr. Colour Temperature	4000 K
Init. Colour rendering index	80
Initial chromaticity	SDCM<4
Initial input power	32 W
Power consumption tolerance	+/-10%

Over time performance (IEC compliant)

Median useful life L70B50	50000 h
---------------------------	---------

Application conditions

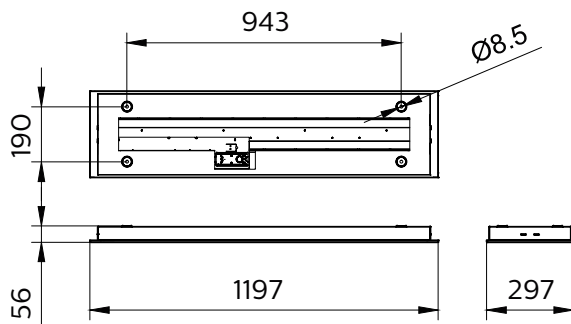
Ambient temperature range	-20 to +40 °C
Suitable for random switching	No

Product data

Full product code	911401519451
Order product name	SM100C LED37S 840 W30L120 PSU G3
Order code	01519451
SAP numerator – quantity per pack	1
Numerator – packs per outer box	2
SAP material	911401519451
Copy Net Weight (Piece)	5.300 kg



Dimensional drawing



SM100C LED37S 840 W30L120 PSU G3

