



CoreLine Trunking Gen2

LL234X 160S/840 2x PSU WB 5x2.5

Coreline Trunking Gen2 - LED module, system flux 16000 lm - Power supply unit - Wide beam - 84° x 84°

CoreLine Trunking Gen2 is a light-line system that is designed for simplicity. It comes in a choice of lengths, flux packages and beam shapes to suit every project and application. Easy to use and integrate with spots and sensors, CoreLine Trunking Gen2 provides consistent, high-quality lighting with added protection against accidental water ingress. The innovative system is also easy to assemble and install for faster retrofits and refurbishments.

Product data

General Information		Operating and Electrical	
Lamp family code	160S [LED module, system flux 16000 lm]	Glow-wire test	850/30 [Temperature 850 °C, duration 30 s]
Beam angle of light source	120 °	Flammability mark	NO [-]
Light source colour	840 neutral white	CE mark	CE mark
Light source replaceable	No	ENEC mark	ENEC plus mark
Number of gear units	2 units	Warranty period	5 years
Driver/power unit/transformer	PSU [Power supply unit]	Constant light output	No
Driver included	Yes	Number of products on MCB (16 A type B)	12
Optic type	WB [Wide beam]	EU RoHS compliant	Yes
Luminaire light beam spread	84° x 84°	Product family code	LL234X [Coreline Trunking Gen2]
Control interface	-	Unified glare rating CEN	22
Connection	CU5 [Connection unit 5-pole]		
Cable	-		
Protection class IEC	Safety class I (I)	Input Voltage	220 to 240 V
		Input frequency	50 to 60 Hz

CoreLine Trunking Gen2

Initial CLO power consumption	- W
Average CLO power consumption	- W
Inrush current	19 A
Inrush time	0.280 ms
Power factor (min.)	0.95

Controls and Dimming

Dimmable	No
----------	----

Mechanical and Housing

Housing material	Steel
Reflector material	-
Optic material	Polycarbonate
Optical cover/lens material	Polycarbonate
Fixation material	Steel
Optical cover/lens finish	Frosted
Overall length	3400 mm
Overall width	80 mm
Overall height	50 mm
Colour	White RAL9016
Dimensions (height x width x depth)	50 x 80 x 3400 mm (2 x 3.1 x 133.9 in)

Approval and Application

Ingress protection code	IP20 [Finger-protected]
Mech. impact protection code	IK02 [0.2 J standard]

Initial Performance (IEC Compliant)

Initial luminous flux (system flux)	16000 lm
Luminous flux tolerance	+/-10%
Initial LED luminaire efficacy	157 lm/W

Init. Corr. Colour Temperature	4000 K
Init. Colour rendering index	>80
Initial chromaticity	(0.38, 0.38) SDCM <3
Initial input power	102 W
Power consumption tolerance	+/-10%

Over Time Performance (IEC Compliant)

Control gear failure rate at median useful life	5 %
50,000 h	
Lumen maintenance at median useful life*	L80
50,000 h	

Application Conditions

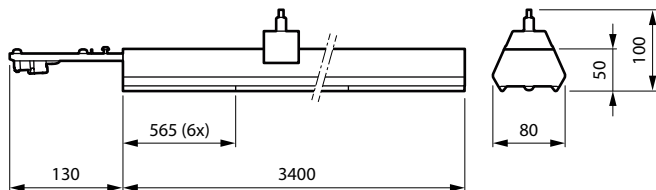
Ambient temperature range	-20 to +35 °C
Performance ambient temperature Tq	25 °C
Maximum dimming level	Not applicable
Suitable for random switching	Yes

Product Data

Full product code	871951410816500
Order product name	LL234X 160S/840 2x PSU WB 5x2.5
EAN/UPC – product	8719514108165
Order code	10816500
SAP numerator – quantity per pack	1
Numerator – packs per outer box	1
SAP material	910925867559
SAP net weight (piece)	5.530 kg



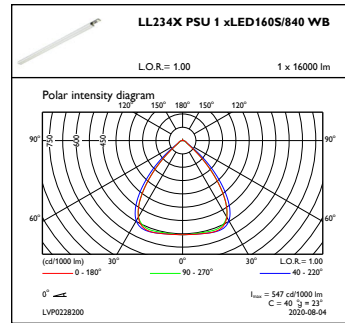
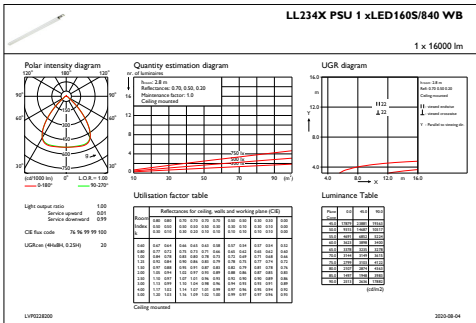
Dimensional drawing



Coreline Trunking Gen2 electr. units LL212X-LL234X

CoreLine Trunking Gen2

Photometric data



IFGU1_LL234XPSU1xLED160S840WB

OFPC1_LL234XPSU1xLED160S840WB

