

Maxos fusion

LL500Z BA WH

Maxos fusion Acc. – Baseplate – White

Maxos fusion is an adaptable LED trunking system that offers an excellent quality of light while more than halving energy costs compared to fluorescent lamps. For retail applications, a family of linear panels, non-linear modules and a spot portfolio can be smoothly integrated into the track backbone to let your merchandise sparkle and stand out. For industrial applications, the focus is on reducing installation and maintenance cost by using fewer linear panels. With an electrical set-up of up to 13 wires, the freedom to position these fixtures as required and the integration of other services/third-party hardware, the system allows you to reduce ceiling clutter. It can also be easily re-configured to accommodate future layout changes. The infrastructure is enabled to integrate sensors for data collection, giving you the opportunity to use insightful granular information to support your business.

Product data

General information	
Protection class IEC	Safety class I (I)
CE mark	CE mark
Material	Steel
Angle	0°
Accessory colour	White
Product family code	LL500Z [Maxos fusion Acc.]

Operating and electrical	
Electrical accessories	BA [Baseplate]
Input Voltage	220 to 240 V
Input frequency	50 to 60 Hz

Mechanical and housing	
Overall length	309.4 mm
Overall width	62.3 mm
Overall height	14.7 mm
Overall diameter	0 mm
Dimensions (height x width x depth)	15 x 62 x 309 mm (0.6 x 2.5 x 12.2 in)

Approval and application	
Ingress protection code	IP20 [Finger-protected]
Mech. impact protection code	IK02 [0.2 J standard]

Product data	
Full product code	871869699833500
Order product name	LL500Z BA WH

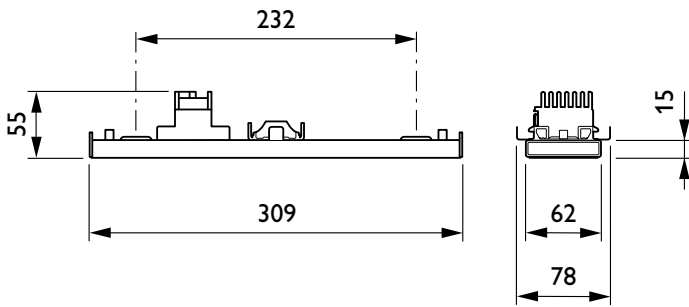
Maxos fusion

EAN/UPC – product	8718696998335
Order code	99833500
SAP numerator – quantity per pack	1
Numerator – packs per outer box	1
SAP material	910925865356

Copy Net Weight (Piece)	0.370 kg
-------------------------	----------



Dimensional drawing



LL500Z BA WH

