

Maxos LED

4MX850 491 LED55S/840 PSD NB SI

Maxos Led Industry - Generation 3 - 1 unit for TL5 49 W - LED Module, system flux 5500 lm - 840 neutral white - Power supply unit with DALI interface - Narrow beam - Silver

Customers in the industrial and retail sectors are looking for general lighting solutions with a justifiable payback, while meeting all relevant norms for supermarkets and industry applications. For a limited investment, Maxos LED Industry offers best-in-class energy savings while delivering high lux levels at the required color temperatures and glare factors. The minimalistic Maxos LED Industry system comprises exchangeable mid-power LED boards mounted on a standard Maxos trunking rail. A choice of wide and medium-beam lenses means flexibility in light distribution. Compared with a conventional fluorescent installation, this highly efficient LED solution offers full payback in less than three years. And the benefits keep coming: the use of our upgradable LED engine platform makes Maxos LED Industry a truly future-proof solution.

Product data

General Information			
Number of light sources	1 [1 pc]	Optic type	NB [Narrow beam]
Lamp family code	LED55S [LED Module, system flux 5500 lm]	Optical cover/lens type	PM [PMMA bowl/cover]
Beam angle of light source	120 °	Luminaire light beam spread	50°
Light source colour	840 neutral white	Control interface	DALI
Cap base	- [-]	Connection	CU5 [Connection unit 5-pole]
Light source replaceable	No	Cable	-
Number of gear units	1 unit	Protection class IEC	Safety class I (I)
Gear	-	Glow-wire test	650/30 [Temperature 650 °C, duration 30 s]
Driver/power unit/transformer	PSD [Power supply unit with DALI interface]	Flammability mark	NO [-]
Driver included	Yes	CE mark	CE mark
		ENEC mark	ENEC mark

Maxos LED

UL mark	-
Warranty period	5 years
Remarks	*- According to the Lighting Europe guidance paper 'Evaluating performance of LED based luminaires – January 2018': statistically there is no relevant difference in lumen maintenance between the B50 and, for example, the B10. Therefore, the median useful life (B50) value also represents the B10 value.
Constant light output	No
Number of products on MCB (16 A type B)	24
EU RoHS compliant	Yes
Product family code	4MX850 [Maxos Led Industry]
Unified glare rating CEN	Not applicable

Operating and Electrical

Input Voltage	220-240 V
Input frequency	50 to 60 Hz
Control signal voltage	0-16 V DC DALI
Inrush current	21 A
Inrush time	0.280 ms
Power factor (min.)	0.9

Controls and Dimming

Dimmable	Yes
----------	-----

Mechanical and Housing

Trunking length	491 [1 unit for TL5 49 W]
Housing material	Steel
Reflector material	-
Optic material	Polymethyl methacrylate
Optical cover/lens material	Polymethyl methacrylate
Fixation material	Steel
Optical cover/lens finish	Clear
Overall length	1478 mm
Overall width	63 mm
Overall height	50 mm
Colour	Silver

Dimensions (height x width x depth)	50 x 63 x 1478 mm (2 x 2.5 x 58.2 in)
-------------------------------------	---------------------------------------

Approval and Application

Ingress protection code	IP20 [Finger-protected]
Mech. impact protection code	IK02 [0.2 J standard]

Initial Performance (IEC Compliant)

Initial luminous flux (system flux)	5500 lm
Luminous flux tolerance	+/-10%
Initial LED luminaire efficacy	167 lm/W
Init. Corr. Colour Temperature	4000 K
Init. Colour rendering index	≥80
Initial chromaticity	(0.38, 0.38) SDCM <3.5
Initial input power	33 W
Power consumption tolerance	+/-10%

Over Time Performance (IEC Compliant)

Control gear failure rate at median useful life 50,000 h	5 %
Lumen maintenance at median useful life* 50,000 h	L80

Application Conditions

Ambient temperature range	-20 to +35 °C
Performance ambient temperature Tq	25 °C
Maximum dimming level	1%
Suitable for random switching	Not applicable

Product Data

Full product code	403073266126899
Order product name	4MX850 491 LED55S/840 PSD NB SI
EAN/UPC – product	4030732661268
Order code	66126899
SAP numerator – quantity per pack	1
Numerator – packs per outer box	3
SAP material	910629120926
SAP net weight (piece)	1.765 kg

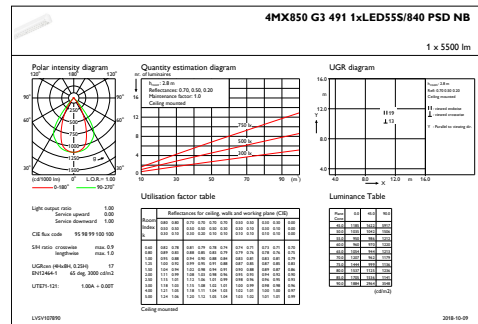
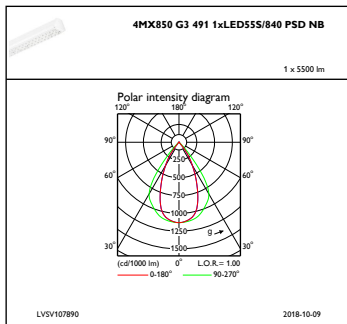


Dimensional drawing

782

Maxos LED electr. units 4MX850-883

Photometric data



IFPC1_4MX850G34911xLED555840PSDNB

IFGU1_4MX850G34911xLED555840PSDNB

