



LuxSpace square, recessed

DN572B LED24S/840 PSU-E C WH

LuxSpace square, recessed, 18.4 W, 200x200 mm, 2600 lumen, 4000 K, UGR19, High-gloss reflector, IP20

Customers are looking to optimize all their resources, and that means not just their running costs (energy, etc.) but also their human resources. Energy savings are therefore a priority, but they must not have an adverse effect on the well-being of employees, who need a pleasant environment in order to be more productive, or on customers, who want to enjoy their shopping experience. LuxSpace provides the perfect combination of efficiency, light comfort and design, without compromising on lighting performance (color rendering and color uniformity). It offers a wide choice of options for creating the desired ambience, no matter the application.

Product data

General Information		Light Technical	
Light source replaceable	No	Glow-wire test	Temperature 850 °C, duration 5 s
Number of gear units	1 unit	EU RoHS compliant	Yes
Driver included	Yes	Luminous Flux	2,600 lumen
Service tag	Yes	Correlated Color Temperature (Nom)	4000 K
Product family code	DN572B [LuxSpace2 Square]	Luminous Efficacy (rated) (Nom)	141 lm/W
Lighting Technology	LED	Color rendering index (CRI)	>80
Value ladder	Specification	Light source color	840 neutral white
CE mark	Yes	Optic type	-
Warranty period	5 years	Luminaire light beam spread	80°
Flammability mark	For mounting on normally flammable surfaces	Unified glare rating CEN	19
ENEC mark	ENEC mark		

LuxSpace square, recessed

Operating and Electrical

Line Frequency	50 to 60 Hz
Input Voltage	220 to 240 V
Inrush current	16 A
Inrush time	0.195 ms
Power Consumption	18.4 W
Power Factor (Fraction)	0.9
Connection	Push-in connector and pull relief
Cable	-
Number of products on MCB of 16 A type B	24

Temperature

Ambient temperature range	+10 to +25 °C
---------------------------	---------------

Controls and Dimming

Dimmable	No
Driver/power unit/transformer	Power supply unit external (On/Off)
Control interface	-
Constant light output	No

Mechanical and Housing

Housing Material	Aluminum die cast
Reflector material	Polycarbonate aluminum coated
Optic material	Polycarbonate
Optical cover/lens material	Polycarbonate
Fixation material	Steel
Housing Color	White
Optical cover/lens finish	-
Reflector Finish	High-gloss reflector
Overall length	200 mm
Overall width	200 mm
Overall height	119 mm
Dimensions (Height x Width x Depth)	119 x 200 x 200 mm

Approval and Application

Ingress protection code	IP20 [Finger-protected]
Mech. impact protection code	IK02 [0.2 J standard]
Sustainability rating	-
Protection class IEC	Safety class II

Initial Performance (IEC Compliant)

Initial chromaticity	(0.38, 0.38) SDCM <2
Luminous flux tolerance	+/-10%
Power consumption tolerance	+/-10%

Over Time Performance (IEC Compliant)

Control gear failure rate at median useful life 50000 h	5 %
Lumen maintenance at median useful life* 50000 h	L90

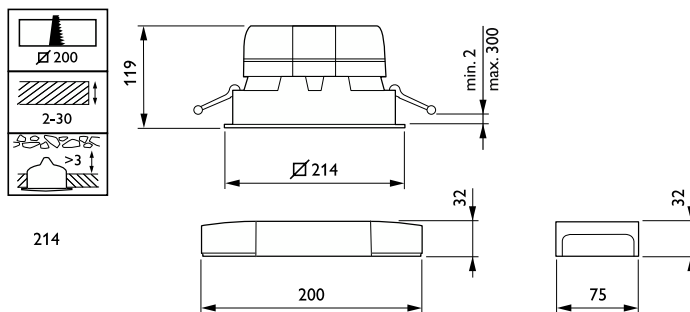
Application Conditions

Performance ambient temperature Tq	25 °C
Suitable for random switching	Yes

Product Data

Full product code	871869997081900
Order product name	DN572B LED24S/840 PSU-E C WH
Order code	97081900
Numerator - Quantity Per Pack	1
Numerator - Packs per outer box	1
Material Nr. (12NC)	910505100952
Full product name	DN572B LED24S/840 PSU-E C WH
EAN/UPC - Case	8718699970819
EAN/UPC - Product/Case	8718699970819

Dimensional drawing



LuxSpace square, recessed

