



LuxSpace square, recessed

DN572B LED20S/840 DIA-VLC-E C WH

LuxSpace square, recessed, 14.8 W, 200x200 mm, 2200 lumen, 4000 K, DALI, Interact Ready, UGR19, High-gloss reflector, IP20

Customers are looking to optimize all their resources, and that means not just their running costs (energy, etc.) but also their human resources. Energy savings are therefore a priority, but they must not have an adverse effect on the well-being of employees, who need a pleasant environment in order to be more productive, or on customers, who want to enjoy their shopping experience. LuxSpace provides the perfect combination of efficiency, light comfort and design, without compromising on lighting performance (color rendering and color uniformity). It offers a wide choice of options for creating the desired ambience, no matter the application.

Product data

General Information	
Light source replaceable	No
Number of gear units	1 unit
Driver included	Yes
Service tag	Yes
Product family code	DN572B [LuxSpace2 Square]
Connectivity	Interact Ready
Lighting Technology	LED
Value ladder	Specification
CE mark	Yes
Warranty period	5 years
Flammability mark	For mounting on normally flammable surfaces

ENEC mark	ENEC mark
Glow-wire test	Temperature 850 °C, duration 5 s
EU RoHS compliant	Yes
Light Technical	
Luminous Flux	2,200 lumen
Correlated Color Temperature (Nom)	4000 K
Luminous Efficacy (rated) (Nom)	149 lm/W
Color rendering index (CRI)	>80
Light source color	840 neutral white
Optic type	-
Luminaire light beam spread	80°

LuxSpace square, recessed

Unified glare rating CEN	19
--------------------------	----

Operating and Electrical

Line Frequency	50 to 60 Hz
Input Voltage	220 to 240 V
Inrush current	16 A
Inrush time	0.195 ms
Power Consumption	14.8 W
Power Factor (Fraction)	0.9
Connection	Push-in connector and pull relief
Cable	-
Number of products on MCB of 16 A type B	24

Temperature

Ambient temperature range	+10 to +25 °C
---------------------------	---------------

Controls and Dimming

Dimmable	Yes
Driver/power unit/transformer	Power supply unit with DALI interface and constant light output, external
Control interface	DALI
Constant light output	No

Mechanical and Housing

Housing Material	Aluminum die cast
Reflector material	Polycarbonate aluminum coated
Optic material	Polycarbonate
Optical cover/lens material	Polycarbonate
Fixation material	Steel
Housing Color	White
Optical cover/lens finish	-
Reflector Finish	High-gloss reflector
Overall length	200 mm
Overall width	200 mm
Overall height	119 mm
Dimensions (Height x Width x Depth)	119 x 200 x 200 mm

Approval and Application

Ingress protection code	IP20 [Finger-protected]
Mech. impact protection code	IK02 [0.2 J standard]
Sustainability rating	-
Protection class IEC	Safety class II

Initial Performance (IEC Compliant)

Initial chromaticity	(0.38, 0.38) SDCM <2
Luminous flux tolerance	+/-10%
Power consumption tolerance	+/-10%

Over Time Performance (IEC Compliant)

Control gear failure rate at median useful life 50000 h	5 %
Lumen maintenance at median useful life* 50000 h	L90

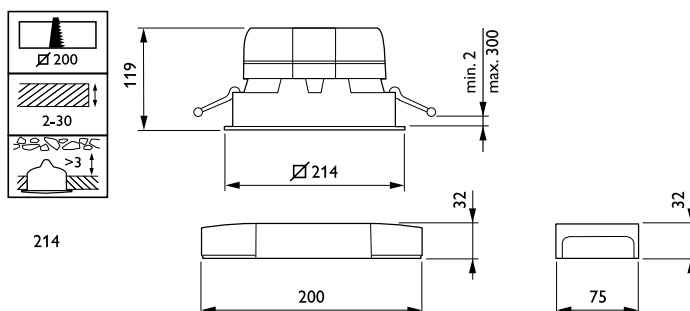
Application Conditions

Performance ambient temperature Tq	25 °C
Maximum dim level	1%
Suitable for random switching	Yes

Product Data

Full product code	871869997079600
Order product name	DN572B LED20S/840 DIA-VLC-E C WH
Order code	97079600
Numerator - Quantity Per Pack	1
Numerator - Packs per outer box	1
Material Nr. (12NC)	910505100950
Full product name	DN572B LED20S/840 DIA-VLC-E C WH
EAN/UPC - Case	8718699970796
EAN/UPC - Product/Case	8718699970796

Dimensional drawing



LuxSpace square, recessed

