



CoreLine Panel

RC132V G4 LED36S/840 PSD W30L120 OC ELB3

CORELINE PANEL - 840 neutral white - Power supply unit with DALI interface

Whether for a new building or renovation of an existing space, customers want lighting solutions that provide quality of light and substantial energy and maintenance savings. The new CoreLine Panel range of LED products can be used to replace functional luminaires in general lighting applications. Both Non-Office Compliant (NOC) version and Office Compliant version (OC) are now available. The process of selecting, installing and maintaining is so easy – it's a simple switch.

Product data

General Information		Light Technical	
Beam angle of light source	- °	CE mark	CE mark
Light source colour	840 neutral white	ENEC mark	ENEC mark
Light source replaceable	No	Warranty period	5 years
Number of gear units	1 unit	Constant light output	No
Driver/power unit/transformer	PSD [Power supply unit with DALI interface]	Number of products on MCB (16 A type B)	24
Driver included	Yes	Photobiological risk	Photobiological risk group 0 @ 200mm to EN62471
Optic type	90 [Beam angle 90°]	EU RoHS compliant	Yes
Luminaire light beam spread	90°	Product family code	RC132V [CORELINE PANEL]
Control interface	DALI	Unified glare rating CEN	19
Connection	PI6 [Push-in connector 6-pole]	Operating and Electrical	
Cable	-	Input Voltage	220 to 240 V
Protection class IEC	Safety class II (II)	Input frequency	50 to 60 Hz
Glow-wire test	850/30 [Temperature 850 °C, duration 30 s]		
Flammability mark	NO [-]		

CoreLine Panel

Initial CLO power consumption	- W
Average CLO power consumption	- W
Inrush current	20.4 A
Inrush time	0.195 ms
Power factor (min.)	0.9

Controls and Dimming

Dimmable	Yes
----------	-----

Mechanical and Housing

Housing material	Steel
Reflector material	Acrylate
Optic material	Polystyrene
Optical cover/lens material	Polystyrene
Fixation material	-
Optical cover/lens finish	Opal
Overall length	1195 mm
Overall width	295 mm
Overall height	16 mm
Colour	White
Dimensions (height x width x depth)	16 x 295 x 1195 mm (0.6 x 11.6 x 47 in)

Approval and Application

Ingress protection code	IP20/44 [Finger-protected; wire-protected, splash-proof]
Mech. impact protection code	IK03 [0.3 J]

Initial Performance (IEC Compliant)

Initial luminous flux (system flux)	3600 lm
Luminous flux tolerance	+/-10%
Initial LED luminaire efficacy	123 lm/W
Init. Corr. Colour Temperature	4000 K
Init. Colour rendering index	>80
Initial chromaticity	(0.38, 0.38) SDCM <3

Initial input power	33 W
Power consumption tolerance	+/-10%

Over Time Performance (IEC Compliant)

Control gear failure rate at median useful life 50,000 h	5 %
Lumen maintenance at median useful life* 35,000 h	-
Lumen maintenance at median useful life* 50,000 h	L80
Lumen maintenance at median useful life* 75,000 h	-
Lumen maintenance at median useful life* 100,000 h	-

Application Conditions

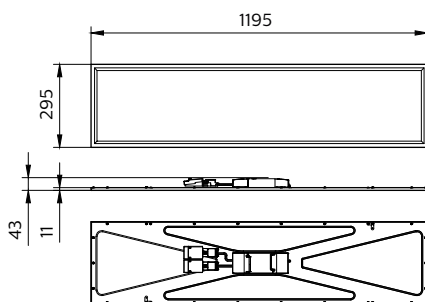
Ambient temperature range	+10 to +40 °C
Performance ambient temperature Tq	25 °C
Maximum dimming level	1%
Suitable for random switching	Not applicable

Product Data

Full product code	871869996715400
Order product name	RC132V G4 LED36S/840 PSD W30L120 OC ELB3
EAN/UPC – product	8718699967154
Order code	96715400
SAP numerator – quantity per pack	1
Numerator – packs per outer box	1
SAP material	910505100537
SAP net weight (piece)	4.500 kg

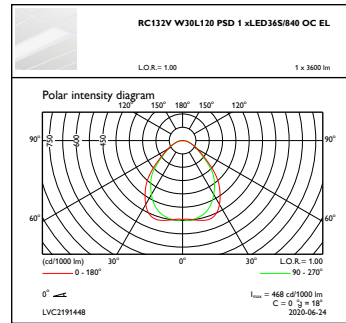
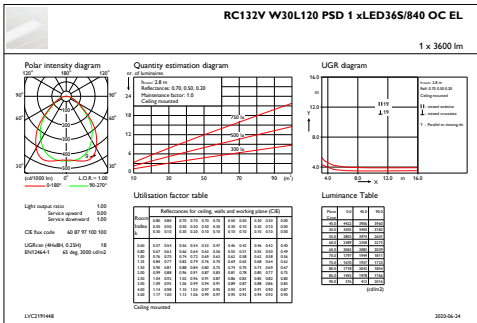


Dimensional drawing



CoreLine Panel RC132V/RC133V

Photometric data



IFGU1_RC132VW30L120PSD1xLED36S840OCELB3

OFPC1_RC132VW30L120PSD1xLED36S840OCELB3

