

# CityCharm Cone

## BDS491 CG25-/740 II A GR H07RN-PX1.5 60

CityCharm Cone - 15 pcs - LED module, system flux 2500 lm - LED - 740 neutral white - Power supply unit regulating - 220 to 240 V - 50 to 60 Hz - Safety class II (II) - Asymmetrical - Polycarbonate bowl/cover - Gray - Luminaire surge protection level up to 6 kV differential mode and 8 kV common mode - Cable 0.2 m without plug - Spigot for diameter 60 mm

CityCharm Cone is designed for use in urban areas where comfortable lighting, ambiance and design play an important role. Its unobtrusive appearance makes it a timeless, future-proof luminaire that is ideal for residential areas, parks, footpaths and cycle lanes, where visual comfort and maximum efficiency are key. CityCharm offers a choice of two iconic designs (Cone and Cordoba) and various accessories, enabling you to create a lighting solution that carries your signature, both by day and by night. CityCharm luminaires are also available as a complete set, with a choice of dedicated poles and brackets.

### Product data

General Information			
Number of light sources	15 [ 15 pcs]	Luminaire light beam spread	360°
Lamp family code	CG25 [ LED module, system flux 2500 lm]	Control interface	-
Light source colour	740 neutral white	Connection	Flying leads/wires
Light source replaceable	Yes	Cable	Cable 0.2 m without plug
Number of gear units	1 unit	Protection class IEC	Safety class II (II)
Gear	EB [ Electronic]	Glow-wire test	650/5 [ Temperature 650 °C, duration 5 s]
Driver/power unit/transformer	PSR [ Power supply unit regulating]	Flammability mark	NO [ -]
Driver included	Yes	CE mark	CE mark
Optical cover/lens type	PC [ Polycarbonate bowl/cover]	ENEC mark	ENEC mark
		UL mark	-

# CityCharm Cone

Warranty period	5 years
Optic type outdoor	Asymmetrical
Remarks	* At extreme ambient temperatures the luminaire might automatically dim down to protect components
Constant light output	No
Spare parts available	Yes
Number of products on MCB (16 A type B)	32
Lifecycle services	Maintenance services
Photobiological risk	Photobiological risk group 1 @ 200mm to EN62471
Product recyclability	95%
EU RoHS compliant	Yes
WEEE mark	-
Light source engine type	LED
Accessory PFC	-
Serviceability class	Class A, the luminaire is equipped with serviceable parts (when applicable): LED board, driver, control units, surge-protection device, optics, front cover and mechanical parts
Product family code	BDS491 [ CityCharm Cone]

## Light Technical

Upward light output ratio	0.03
Scotopic/photopic lumen ratio	1.24
Initial luminous flux at 15 °C	2501 lm
Initial luminous flux at 25 °C	2501 lm
Initial luminous flux at 35 °C	2501 lm
Standard tilt angle post-top	0°
Standard tilt angle side entry	0°

## Operating and Electrical

Input Voltage	220 to 240 V
Input frequency	50 to 60 Hz
Control signal voltage	-
Inrush current	27 A
Inrush time	15 ms
Driver current	380 mA
Power factor (max.)	0.9
Power factor (min.)	0.8
Power factor (nom.)	0.842

## Controls and Dimming

Dimmable	No
----------	----

## Mechanical and Housing

Housing material	Aluminum
Reflector material	-
Optic material	Polycarbonate
Optical cover/lens material	Polycarbonate

Fixation material	Aluminium
Mounting device	60 [ Spigot for diameter 60 mm]
Optical cover/lens shape	Flat
Optical cover/lens finish	Clear
Torque	25
Overall height	529 mm
Overall diameter	556 mm
Effective projected area	0.1155 m <sup>2</sup>
Colour	Gray
Dimensions (height x width x depth)	529 x NaN x NaN mm (20.8 x NaN x NaN in)

## Approval and Application

Ingress protection code	IP66 [ Dust penetration-protected, jet-proof]
Mech. impact protection code	IK10 [ 20 J vandal-resistant]
Surge protection (common/differential)	Luminaire surge protection level up to 6 kV differential mode and 8 kV common mode

## Initial Performance (IEC Compliant)

Initial luminous flux (system flux)	2140 lm
Luminous flux tolerance	+/-10%
Initial LED luminaire efficacy	107 lm/W
Init. Corr. Colour Temperature	4000 K
Init. Colour rendering index	≥70
Initial chromaticity	(0.380, 0.370) SDCM <3
Initial input power	20 W
Power consumption tolerance	+/-10%
Init. colour rendering index tolerance	+/-2

## Over Time Performance (IEC Compliant)

Lumen maintenance at median useful life*	L94
	100,000 h

## Application Conditions

Ambient temperature range	-40 to +50 °C
Maximum dimming level	Not applicable

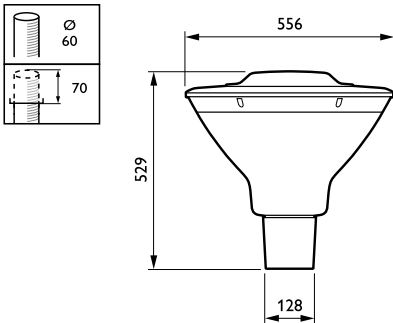
## Product Data

Full product code	871869693926000
Order product name	BDS491 CG25-/740 II A GR H07RN-PX1.5
	60
EAN/UPC – product	8718696939260
Order code	93926000
SAP numerator – quantity per pack	1
Numerator – packs per outer box	1
SAP material	910505017431
SAP net weight (piece)	12.000 kg



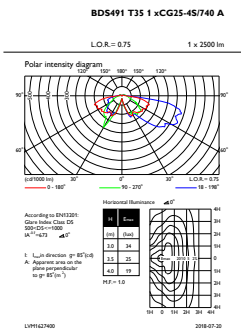
# CityCharm Cone

## Dimensional drawing

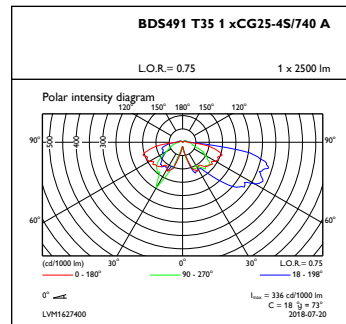


CityCharm BDS490/491/492

## Photometric data



OFPL1\_BDS491T351xCG25-4S740A



OFPC1\_BDS491T351xCG25-4S740A

