



CityCharm Cone

BDS491 CG25-/740 II S GR D11 76

CityCharm Cone - 15 pcs - LED module, system flux 2500 lm - LED - 740 neutral white - Power supply unit regulating - 220 to 240 V - 50 to 60 Hz - Safety class II (II) - Symmetrical - Polycarbonate bowl/cover - Gray - - - Dimming via Lineswitch (ON= maximum output level) - Luminaire surge protection level up to 6 kV differential mode and 8 kV common mode - Cable 0.2 m without plug - Spigot for diameter 76 mm

CityCharm Cone is designed for use in urban areas where comfortable lighting, ambiance and design play an important role. Its unobtrusive appearance makes it a timeless, future-proof luminaire that is ideal for residential areas, parks, footpaths and cycle lanes, where visual comfort and maximum efficiency are key. CityCharm offers a choice of two iconic designs (Cone and Cordoba) and various accessories, enabling you to create a lighting solution that carries your signature, both by day and by night. CityCharm luminaires are also available as a complete set, with a choice of dedicated poles and brackets.

Product data

General Information	
Number of light sources	15 [15 pcs]
Lamp family code	CG25 [LED module, system flux 2500 lm]
Light source colour	740 neutral white
Light source replaceable	Yes
Number of gear units	1 unit
Gear	EB [Electronic]
Driver/power unit/transformer	PSR [Power supply unit regulating]
Driver included	Yes

Optical cover/lens type	PC [Polycarbonate bowl/cover]
Luminaire light beam spread	360°
Control interface	-
Light regulation	Dimming via Lineswitch (ON= maximum output level)
Connection	Flying leads/wires
Cable	Cable 0.2 m without plug
Protection class IEC	Safety class II (II)
Coating	-

CityCharm Cone

Glow-wire test	650/5 [Temperature 650 °C, duration 5 s]
Flammability mark	NO [-]
CE mark	CE mark
ENEC mark	ENEC mark
UL mark	-
Warranty period	5 years
Optic type outdoor	Symmetrical
Remarks	* At extreme ambient temperatures the luminaire might automatically dim down to protect components
Constant light output	No
Spare parts available	Yes
Number of products on MCB (16 A type B)	32
Lifecycle services	Maintenance services
Photobiological risk	Photobiological risk group 1 @ 200mm to EN62471
Product recyclability	95%
EU RoHS compliant	Yes
WEEE mark	-
Light source engine type	LED
Accessory PFC	-
Serviceability class	Class A, the luminaire is equipped with serviceable parts (when applicable): LED board, driver, control units, surge-protection device, optics, front cover and mechanical parts
Product family code	BDS491 [CityCharm Cone]

Light Technical

Upward light output ratio	0.03
Scotopic/photopic lumen ratio	1.24
Initial luminous flux at 15 °C	2501 lm
Initial luminous flux at 25 °C	2501 lm
Initial luminous flux at 35 °C	2501 lm
Standard tilt angle post-top	0°
Standard tilt angle side entry	0°

Operating and Electrical

Input Voltage	220 to 240 V
Input frequency	50 to 60 Hz
Control signal voltage	-
Inrush current	27 A
Inrush time	15 ms
Driver current	380 mA
Power factor (max.)	0.9
Power factor (min.)	0.8
Power factor (nom.)	0.842

Controls and Dimming

Dimmable	No
----------	----

Mechanical and Housing

Housing material	Aluminum
Reflector material	-
Optic material	Polycarbonate
Optical cover/lens material	Polycarbonate
Fixation material	Aluminium
Mounting device	76 [Spigot for diameter 76 mm]
Optical cover/lens shape	Flat
Optical cover/lens finish	Clear
Torque	25
Overall height	529 mm
Overall diameter	556 mm
Effective projected area	0.1155 m ²
Colour	Gray
Dimensions (height x width x depth)	529 x NaN x NaN mm (20.8 x NaN x NaN in)

Approval and Application

Ingress protection code	IP66 [Dust penetration-protected, jet-proof]
Mech. impact protection code	IK10 [20 J vandal-resistant]
Surge protection (common/differential)	Luminaire surge protection level up to 6 kV differential mode and 8 kV common mode

Initial Performance (IEC Compliant)

Initial luminous flux (system flux)	2140 lm
Luminous flux tolerance	+/-10%
Initial LED luminaire efficacy	107 lm/W
Init. Corr. Colour Temperature	4000 K
Init. Colour rendering index	≥70
Initial chromaticity	(0.380, 0.370) SDCM <3
Initial input power	20 W
Power consumption tolerance	+/-10%
Init. colour rendering index tolerance	+/-2

Over Time Performance (IEC Compliant)

Lumen maintenance at median useful life* L93	100,000 h
--	-----------

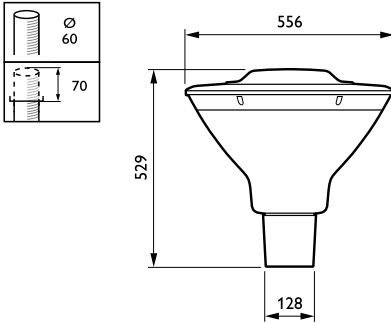
Application Conditions

Ambient temperature range	-40 to +50 °C
Maximum dimming level	Not applicable

Product Data

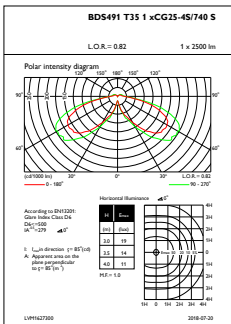
Full product code	871869693921500
Order product name	BDS491 CG25-/740 II S GR D11 76
EAN/UPC – product	8718696939215
Order code	93921500
SAP numerator – quantity per pack	1
Numerator – packs per outer box	1
SAP material	910505017426
SAP net weight (piece)	12.000 kg

Dimensional drawing

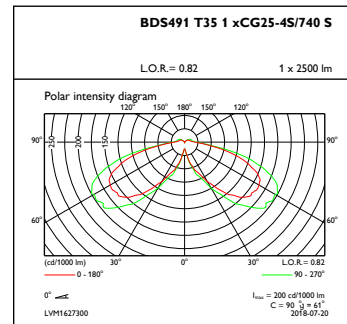


CityCharm BDS490/491/492

Photometric data



OFPL1_BDS491T351xCG25-4S740S



OFPC1_BDS491T351xCG25-4S740S

