



SM500T

SM500T LED79S/840 PSU WB GR

SM500 - LED Module, system flux 7900 lm - 840 neutral white
 - Power supply unit - Wide beam - Gray

In today's retail market, online sales are growing rapidly and fierce competition is the order of the day. Therefore, retailers want to create experiences that will attract customers to their stores. The SM500T adds atmosphere to your store by introducing contrast and breaking up the traditional continuous light-lines. A variety of beam shapes combined with excellent light quality ensures the merchandise stands out, whilst at the same time enabling you to create your chosen ambience. The SM500T is equipped with power-track connectors. These make it easy to install and to replace or upgrade when re-using existing track. And if your needs change, you can simply adapt the lighting by repositioning the fixtures along the track. This makes the SM500T a truly flexible tool for setting the ambience.

Product data

General Information			
Number of light sources	1 [1 pc]	Connection	CU3 [Connection unit 3-pole]
Lamp family code	LED79S [LED Module, system flux 7900 lm]	Cable	-
Beam angle of light source	- °	Protection class IEC	Safety class I (I)
Light source colour	840 neutral white	Mounting	3C [3-circuit power track]
Cap base	- [-]	Glow-wire test	650/30 [Temperature 650 °C, duration 30 s]
Light source replaceable	No	Flammability mark	F [For mounting on normally flammable surfaces]
Number of gear units	1 unit	CE mark	CE mark
Driver/power unit/transformer	PSU [Power supply unit]	ENEC mark	ENEC plus mark
Driver included	Yes	UL mark	-
Optic type	WB [Wide beam]	Warranty period	5 years
Optical cover/lens type	PM [PMMA bowl/cover]	Remarks	*- According to the Lighting Europe guidance paper 'Evaluating performance of LED based luminaires – January 2018': statistically there
Luminaire light beam spread	110°		

SM500T

	is no relevant difference in lumen maintenance between the B50 and, for example, the B10. Therefore, the median useful life (B50) value also represents the B10 value.
Constant light output	No
Number of products on MCB (16 A type B)	24
EU RoHS compliant	Yes
Product family code	SM500T [SM500]
Unified glare rating CEN	Not applicable

Operating and Electrical

Input Voltage	220-240 V
Input frequency	50 to 60 Hz
Control signal voltage	-
Inrush current	19 A
Inrush time	0.280 ms
Power factor (min.)	0.97

Controls and Dimming

Dimmable	No
----------	----

Mechanical and Housing

Geometry	-
Housing material	Steel
Reflector material	-
Optic material	Polymethyl methacrylate
Optical cover/lens material	Polymethyl methacrylate
Gear tray material	Steel
Fixation material	-
Optical cover/lens finish	Clear
Overall length	586 mm
Overall width	184 mm
Overall height	90 mm
Colour	Gray
Dimensions (height x width x depth)	90 x 184 x 586 mm (3.5 x 7.2 x 23.1 in)

Approval and Application

Ingress protection code	IP20 [Finger-protected]
Mech. impact protection code	IK02 [0.2 J standard]

Initial Performance (IEC Compliant)

Initial luminous flux (system flux)	7900 lm
Luminous flux tolerance	+/-10%
Initial LED luminaire efficacy	160 lm/W
Init. Corr. Colour Temperature	4000 K
Init. Colour rendering index	≥80
Initial chromaticity	(0.38, 0.38) SDCM <3
Initial input power	49.5 W
Power consumption tolerance	+/-5%

Over Time Performance (IEC Compliant)

Control gear failure rate at median useful life 50,000 h	5 %
Lumen maintenance at median useful life* 50,000 h	L80

Application Conditions

Ambient temperature range	+10 to +35 °C
Performance ambient temperature Tq	25 °C
Suitable for random switching	No

Product Data

Full product code	871869687035800
Order product name	SM500T LED795/840 PSU WB GR
EAN/UPC – product	8718696870358
Order code	87035800
SAP numerator – quantity per pack	1
Numerator – packs per outer box	1
SAP material	910504096903
SAP net weight (piece)	3.000 kg



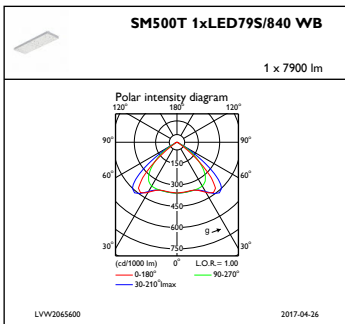
SM500T

Dimensional drawing

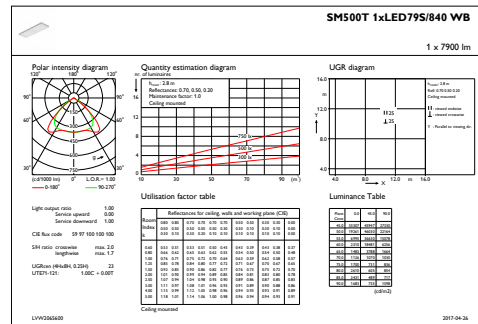
72 |

SM500 SM500T

Photometric data



IFPC1_SM500T1xLED79S840WB



IFGU1_SM500T1xLED79S840WB

