



# EcoStyle

## ST440T LED27S/CH PSU WB WH

EcoStyle track mounting - Champagne - Power supply unit - Wide beam - Safety class II (II) - Black

Retailers are looking for an affordable LED accent-lighting solution with a reasonable payback compared to conventional technologies. Now, thanks to EcoStyle, they need look no further. With a LED light source and dedicated reflector system, EcoStyle delivers powerful, good-quality accent lighting, enabling retailers to display their merchandise in the best possible light. For food and fashion retailers, EcoStyle is available with special light recipes to further enhance the store ambience and to show the produce and goods on offer in the very best light: Fresh Food Champagne is the perfect LED solution for displaying fruit, vegetables, cheese, bread and pastries in a warm lighting ambience; Fresh Food Meat creates the best light setting for meat enhancement in a cool natural ambience; CrispWhite is the clear choice for fashion retailers to make colors appear rich and intense while keeping whites bright. The track-mounted EcoStyle is also available in a choice of black or white finish. And the combination of efficient LED technology and an innovative heatsink ensures that this is a reliable, lasting solution.

### Product data

| General Information           |                          |
|-------------------------------|--------------------------|
| Beam angle of light source    | 120 °                    |
| Light source colour           | Champagne                |
| Light source replaceable      | No                       |
| Number of gear units          | 1 unit                   |
| Driver/power unit/transformer | PSU [ Power supply unit] |
| Driver included               | Yes                      |
| Optic type                    | WB [ Wide beam]          |
| Luminaire light beam spread   | 36°                      |
| Connection                    | No [ -]                  |

|                      |  |
|----------------------|--|
| Cable                | -  |
| Protection class IEC | Safety class II (II)   |
| Glow-wire test       | 650/5 [ Temperature 650 °C, duration 5 s]                                    |
| Flammability mark    | F [ For mounting on normally flammable surfaces]                             |
| CE mark              | CE mark  |
| ENEC mark            | ENEC mark  |
| Warranty period      | 5 years  |
| Remarks              | *-Per Lighting Europe guidance paper<br>*Evaluating performance of LED based |

|                           |  |
|---------------------------|--|
|                           | luminaire - January 2018*: statistically there is no relevant difference in lumen maintenance between B50 and for example B10. Therefore the median useful life (B50) value also represents the B10 value. |
| Constant light output     | No   |
| Number of products on MCB | 34   |
| EU RoHS compliant         | Yes  |
| Product Family Code       | ST440T [ EcoStyle track mounting]  |

## Operating and Electrical

|                     |             |
|---------------------|-------------|
| Input voltage       | 220-240 V   |
| Input frequency     | 50 to 60 Hz |
| Inrush current      | 18 A        |
| Inrush time         | 0.25 ms     |
| Power factor (min.) | 0.95        |

## Controls and Dimming

|          |    |
|----------|----|
| Dimmable | No |
|----------|----|

## Mechanical and Housing

|                                     |   |
|-------------------------------------|---|
| Housing material                    | Polycarbonate                           |
| Reflector material                  | Polycarbonate aluminum coated           |
| Optic material                      | Polycarbonate                           |
| Optical cover/lens material         | Polymethyl methacrylate                 |
| Fixation material                   | Polyamide                               |
| Optical cover/lens finish           | Clear                                   |
| Overall length                      | 189 mm                                  |
| Overall width                       | 112 mm                                  |
| Overall height                      | 193 mm                                  |
| Colour                              | Black                                   |
| Dimensions (height x width x depth) | 193 x 112 x 189 mm (7.6 x 4.4 x 7.4 in) |

## Approval and Application

|                         |                          |
|-------------------------|--------------------------|
| Ingress protection code | IP20 [ Finger-protected] |
|-------------------------|--------------------------|

|                              |                        |
|------------------------------|------------------------|
| Mech. impact protection code | IK02 [ 0.2 J standard] |
|------------------------------|------------------------|

## Initial Performance (IEC Compliant)

|                                |                          |
|--------------------------------|--------------------------|
| Initial luminous flux          | 2600 lm                  |
| Luminous flux tolerance        | +/-10%                   |
| Initial LED luminaire efficacy | 110.63829787234043 lm/W  |
| Init. Corr. Colour Temperature | 2700 K                   |
| Init. colour rendering index   | 80                       |
| Initial chromaticity           | (0.4578, 0.4101) SDCM <3 |
| Initial input power            | 23.5 W                   |
| Power consumption tolerance    | +/-10%                   |

## Over Time Performance (IEC Compliant)

|  |     |
|--|-----|
| Control gear failure rate at median useful life 50,000 h | 5 % |
| Lumen maintenance at median useful life* 50,000 h        | L80 |

## Application Conditions

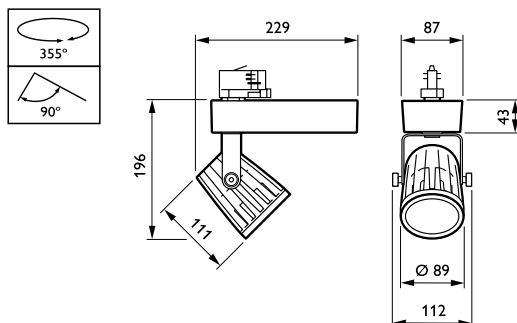
|                                    |             |
|------------------------------------|-------------|
| Ambient temperature range          | 0 to +35 °C |
| Performance ambient temperature Tq | 25 °C       |
| Suitable for random switching      | No          |

## Product Data

|                                 |                            |
|---------------------------------|----------------------------|
| Full product code               | 871869939943600            |
| Order product name              | ST440T LED27S/CH PSU WB WH |
| EAN/UPC – product               | 8718699399436              |
| Order code                      | 39943600                   |
| Numerator – quantity per pack   | 1                          |
| Numerator – packs per outer box | 1                          |
| Material no. (12NC)             | 910500465322               |
| Net weight (piece)              | 1.460 kg                   |



## Dimensional drawing



EcoStyle ST440S/ST440T

