

# PHILIPS

CityTouch  
OLC COM SR

LLC7270, LLC7271



LLC7270 CityTouch OLC COM SR Dark Grey

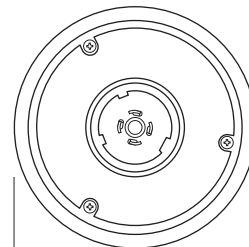
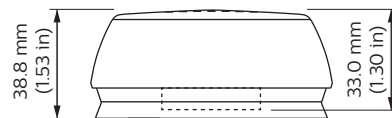
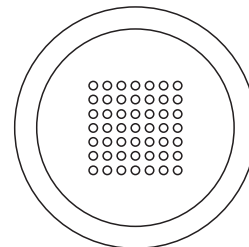
# Installation Instructions

Instructions d'installation    Installationsanweisungen    Instrucciones de instalación  
Istruzioni per l'installazione    Installatie-instructies    インストール手順    安装指示

**1** LLC7271 CityTouch OLC COM SR Light Grey

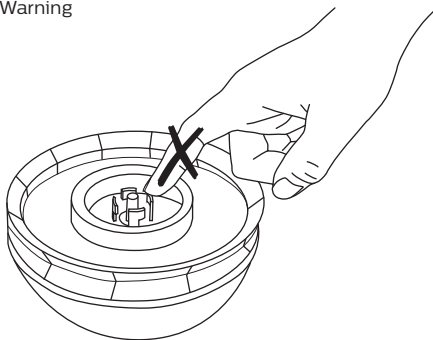


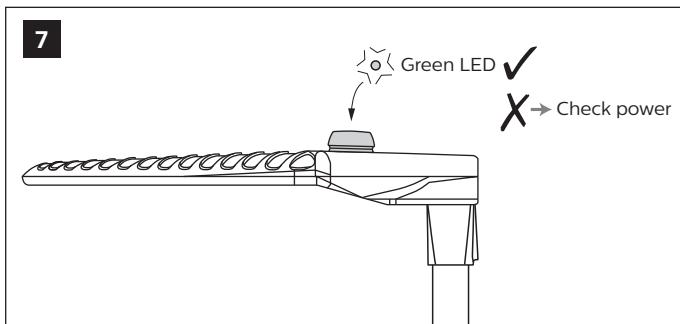
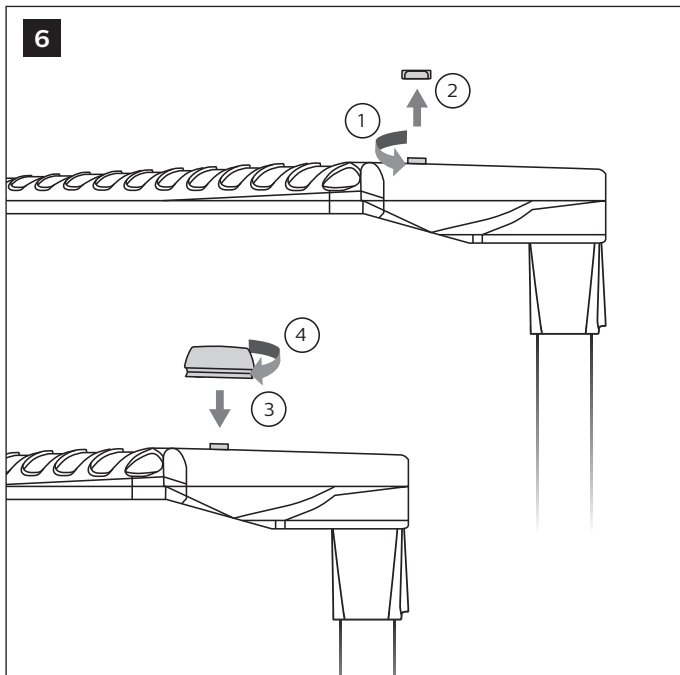
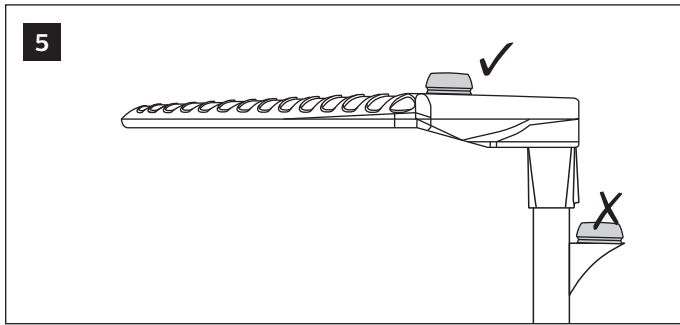
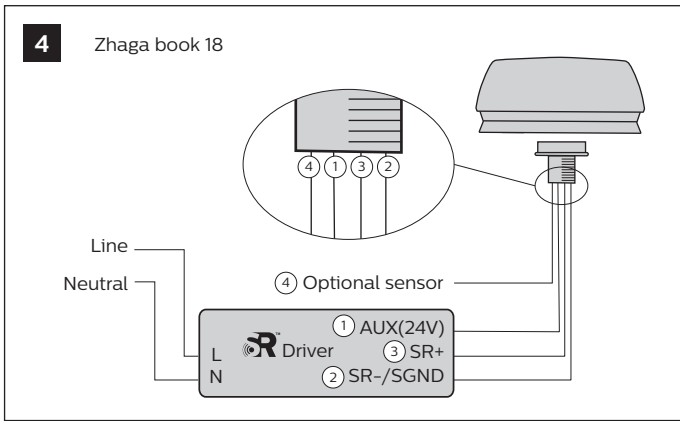
**2** LLC7270



79.7 mm (3.14 in)

**3** ⚠ Warning





- (EN) Hereby, Philips Lighting declares that this CityTouch LLC7270, LLC7271 OLC COM SR is in compliance with the essential requirements and other relevant provisions of Directive 1995/5/EU.
- (FR) Par la présente, Philips Lighting, déclare que l'appareil CityTouch LLC7270, LLC7271 OLC COM SR est conforme aux exigences essentielles et aux autres dispositions pertinentes de la directive 1995/5/EU.
- (DE) Hiermit erklärt Philips Lighting die Übereinstimmung des Gerätes CityTouch LLC7270, LLC7271 OLC COM SR mit den grundlegenden Anforderungen und den anderen relevanten Festlegungen der Richtlinie 1995/5/EU.
- (ES) Por medio de la presente, Philips Lighting, declara que el CityTouch LLC7270, LLC7271 OLC COM SR cumple con los requisitos esenciales y cualesquiera otras disposiciones aplicables o exigibles de la Directiva 1995/5/EU.
- (IT) Con la presente Philips Lighting dichiara che questo CityTouch LLC7270, LLC7271 OLC COM SR è conforme ai requisiti essenziali ed alle altre disposizioni pertinenti stabilite dalla direttiva 1995/5/EU.
- (NL) Hierbij verklaart Philips Lighting dat het toestel CityTouch LLC7270, LLC7271 OLC COM SR in overeenstemming is met de essentiële eisen en de andere relevante bepalingen van richtlijn 1995/5/EU.
- (JA) フィリップスライティング社は、この CityTouch LLC7270, LLC7271 OLC COM SR が 1995/5/EU 指令の基本的な要件とその他の関連条項に準拠していることをここに宣言します。
- (ZH) 飞利浦照明特此声明，此 CityTouch LLC7270, LLC7271 OLC COM SR 符合指令 1995/5/EU 中的基本要求和和其他相关规定

**Hazardous Substances compliant with Directive 2011/65/EU - RoHS**

Type	LLC7270, LLC7271
Lead (Pb)	x
Mercury (Hg)	0
Cadmium (Cd)	0
Hexavalent Chromium (Cr (VI))	0
Polybrominated biphenyls (PBB)	0
Polybrominated diphenyl ethers (PBDE)	0

0: Indicates that said hazardous substance contained in all of the homogeneous materials for this part is below the limit requirement of GB/T 26572.

x: Indicates that said hazardous substance contained in at least one of the homogeneous materials used for this part is above the limit requirement of GB/T 26572.

