



# The new generation of energy-saving LED PLS tube lighting

## CorePro LED PLS

The Philips CorePro LED PLS integrates a LED light source into a traditional fluorescent form factor. This product is the ideal solution for uplampping in general lighting applications: it meets basic lighting requirements, offers significant energy savings, and is environment-friendly.

### Benefits

- Reduced operational cost thanks to lower energy consumption
- Lower maintenance cost thanks to a 2-3 times longer lifetime than conventional lamps
- The fastest and easiest way to upgrade existing luminaires to LED technology; completely safe product and installation process

### Features

- Highly energy-efficient
- Easy installation
- Conventional form factor to fit into existing luminaires
- No mercury

### Application

- Hospitality, retail, office, industrial and home applications

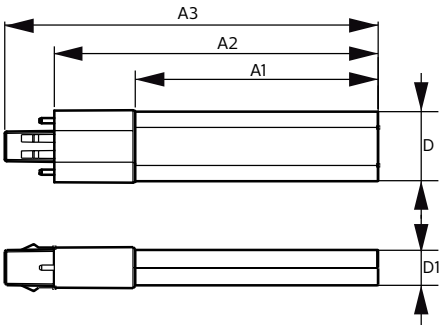
# CorePro LED PLS

## Versions



LEDtube CorePro PLS EM 5W G23  
830 12D ND

## Dimensional drawing



Product	D	D1	A1	A2	A3
CorePro LED PLS 5W 830 2P G23	31.1 mm	15.8 mm	108 mm	144 mm	166 mm
CorePro LED PLS 5W 840 2P G23	31.1 mm	15.8 mm	108 mm	144 mm	166 mm

# CorePro LED PLS

## General Information

Cap-Base	G23
Switching Cycle	50,000
Nominal lifetime	30,000 hour(s)

## Light Technical

Beam Angle (Nom)	120 degree(s)
Color rendering index (CRI)	82
LLMF At End Of Nominal Lifetime (Nom)	70 %

## Operating and Electrical

Input Frequency	50 to 60 Hz
Line Frequency	50 to 60 Hz
Power Consumption	5 W
Starting Time (Nom)	0.5 s

## Temperature

Ambient temperature range	-20 °C to 45 °C
T-Case Maximum (Nom)	83 °C

## Controls and Dimming

Dimmable	No
----------	----

## Mechanical and Housing

Bulb Shape	Tube, single-ended
------------	--------------------

## Approval and Application

Energy Consumption kWh/1000 h	5 kWh
-------------------------------	-------

## Light Technical

Order Code	Full Product Name	Correlated Color Temperature	
		(Nom)	Color Code Luminous Flux
59666800	CorePro LED PLS 5W 830 2P G23	3000 K	830 520 lumen
59668200	CorePro LED PLS 5W 840 2P G23	4000 K	840 550 lumen

