



LuxSpace square, recessed – high efficiency, visual comfort and a stylish design

LuxSpace square, recessed

Customers are looking to optimize all their resources, and that means not just their running costs (energy, etc.) but also their human resources. Energy savings are therefore a priority, but they must not have an adverse effect on the well-being of employees, who need a pleasant environment in order to be more productive, or on customers, who want to enjoy their shopping experience. LuxSpace provides the perfect combination of efficiency, light comfort and design, without compromising on lighting performance (color rendering and color uniformity). It offers a wide choice of options for creating the desired ambience, no matter the application.

Benefits

- Best-in-class efficacy
- Creates a gentle, natural light, ensuring visual comfort
- Perfect integration with the ceiling thanks to the thin, narrow rim; rimless version ideal for integration into plaster ceilings

LuxSpace square, recessed

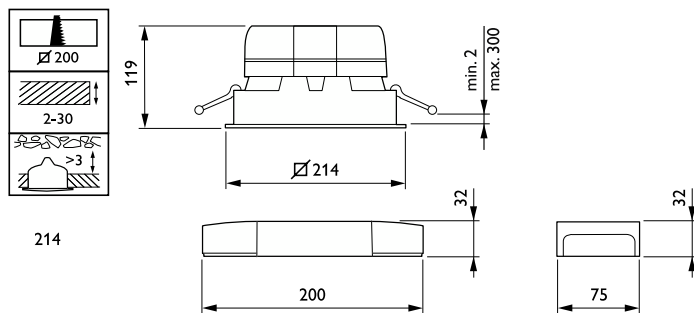
Features

- Choice of four optics: high-gloss, faceted, matt and white
- Rim colors: high-gloss metalized, white (RAL9010), grey, black (RAL9004) as standard (any other RAL color possible upon request)
- Rimless version available
- Compliant for central emergency lighting with DC
- Multiple additional options: emergency lighting (single battery 3 hours), through-wiring

Application

- Offices
- Retail
- Hospitals
- Hotels
- Airports

Dimensional drawing



LuxSpace square, recessed

General Information	
CE mark	Yes
Driver included	Yes
ENEC mark	ENEC mark
Flammability mark	For mounting on normally flammable surfaces
Glow-wire test	Temperature 850 °C, duration 5 s
Light source replaceable	No
Number of gear units	1 unit
Product family code	DN572B
Service tag	Yes
Light Technical	
Color rendering index (CRI)	>80
Optic type	-
Operating and Electrical	
Input Voltage	220 to 240 V
Line Frequency	50 to 60 Hz
Temperature	
Ambient temperature range	+10 to +25 °C
Mechanical and Housing	
Housing Color	White
Approval and Application	
Protection class IEC	Safety class II
Mech. impact protection code	IK02
Ingress protection code	IP20
Initial Performance (IEC Compliant)	
Luminous flux tolerance	+/-10%
Application Conditions	
Suitable for random switching	Yes

Light Technical

Order Code	Full Product Name	Correlated Color	Luminous Efficacy	
		Temperature (Nom)	(rated) (Nom)	Luminous Flux
97073400	DN572B LED12S/840 PSU-E C WH	4000 K	141 lm/W	1,300 lumen
97074100	DN572B LED12S/830 DIA-VLC-E C WH	3000 K	131 lm/W	1,300 lumen
97075800	DN572B LED12S/840 DIA-VLC-E C WH	4000 K	141 lm/W	1,300 lumen
97076500	DN572B LED20S/830 PSU-E C WH	3000 K	134 lm/W	2,200 lumen
97077200	DN572B LED20S/840 PSU-E C WH	4000 K	149 lm/W	2,200 lumen
97078900	DN572B LED20S/830 DIA-VLC-E C WH	3000 K	134 lm/W	2,200 lumen
97079600	DN572B LED20S/840 DIA-VLC-E C WH	4000 K	149 lm/W	2,200 lumen
97080200	DN572B LED24S/830 PSU-E C WH	3000 K	130 lm/W	2,600 lumen
97081900	DN572B LED24S/840 PSU-E C WH	4000 K	141 lm/W	2,600 lumen
97082600	DN572B LED24S/830 DIA-VLC-E C WH	3000 K	130 lm/W	2,600 lumen
97083300	DN572B LED24S/840 DIA-VLC-E C WH	4000 K	141 lm/W	2,600 lumen

Operating and Electrical

Order Code	Full Product Name	Power Consumption
97073400	DN572B LED12S/840 PSU-E C WH	9.2 W
97074100	DN572B LED12S/830 DIA-VLC-E C WH	9.9 W
97075800	DN572B LED12S/840 DIA-VLC-E C WH	9.2 W
97076500	DN572B LED20S/830 PSU-E C WH	16.4 W
97077200	DN572B LED20S/840 PSU-E C WH	14.8 W
97078900	DN572B LED20S/830 DIA-VLC-E C WH	16.4 W

Order Code	Full Product Name	Power Consumption
97079600	DN572B LED20S/840 DIA-VLC-E C WH	14.8 W
97080200	DN572B LED24S/830 PSU-E C WH	20 W
97081900	DN572B LED24S/840 PSU-E C WH	18.4 W
97082600	DN572B LED24S/830 DIA-VLC-E C WH	20 W
97083300	DN572B LED24S/840 DIA-VLC-E C WH	18.4 W

Controls and Dimming

LuxSpace square, recessed

Order Code	Full Product Name	Dimmable
97073400	DN572B LED12S/840 PSU-E C WH	No
97074100	DN572B LED12S/830 DIA-VLC-E C WH	Yes
97075800	DN572B LED12S/840 DIA-VLC-E C WH	Yes
97076500	DN572B LED20S/830 PSU-E C WH	No
97077200	DN572B LED20S/840 PSU-E C WH	No
97078900	DN572B LED20S/830 DIA-VLC-E C WH	Yes

Order Code	Full Product Name	Dimmable
97079600	DN572B LED20S/840 DIA-VLC-E C WH	Yes
97080200	DN572B LED24S/830 PSU-E C WH	No
97081900	DN572B LED24S/840 PSU-E C WH	No
97082600	DN572B LED24S/830 DIA-VLC-E C WH	Yes
97083300	DN572B LED24S/840 DIA-VLC-E C WH	Yes

Initial Performance (IEC Compliant)

Order Code	Full Product Name	Initial chromaticity
97073400	DN572B LED12S/840 PSU-E C WH	(0.38, 0.38) SDCM <2
97074100	DN572B LED12S/830 DIA-VLC-E C WH	(0.43, 0.40) SDCM <2
97075800	DN572B LED12S/840 DIA-VLC-E C WH	(0.38, 0.38) SDCM <2
97076500	DN572B LED20S/830 PSU-E C WH	(0.43, 0.40) SDCM <2
97077200	DN572B LED20S/840 PSU-E C WH	(0.38, 0.38) SDCM <2
97078900	DN572B LED20S/830 DIA-VLC-E C WH	(0.43, 0.40) SDCM <2

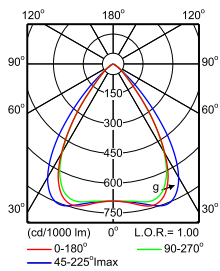
Order Code	Full Product Name	Initial chromaticity
97079600	DN572B LED20S/840 DIA-VLC-E C WH	(0.38, 0.38) SDCM <2
97080200	DN572B LED24S/830 PSU-E C WH	(0.43, 0.40) SDCM <2
97081900	DN572B LED24S/840 PSU-E C WH	(0.38, 0.38) SDCM <2
97082600	DN572B LED24S/830 DIA-VLC-E C WH	(0.43, 0.40) SDCM <2
97083300	DN572B LED24S/840 DIA-VLC-E C WH	(0.38, 0.38) SDCM <2

Application Conditions

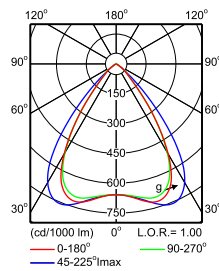
Order Code	Full Product Name	Maximum dim level
97073400	DN572B LED12S/840 PSU-E C WH	-
97074100	DN572B LED12S/830 DIA-VLC-E C WH	1%
97075800	DN572B LED12S/840 DIA-VLC-E C WH	1%
97076500	DN572B LED20S/830 PSU-E C WH	-
97077200	DN572B LED20S/840 PSU-E C WH	-
97078900	DN572B LED20S/830 DIA-VLC-E C WH	1%

Order Code	Full Product Name	Maximum dim level
97079600	DN572B LED20S/840 DIA-VLC-E C WH	1%
97080200	DN572B LED24S/830 PSU-E C WH	-
97081900	DN572B LED24S/840 PSU-E C WH	-
97082600	DN572B LED24S/830 DIA-VLC-E C WH	1%
97083300	DN572B LED24S/840 DIA-VLC-E C WH	1%

Polar Wide Diagrams



IFPS_DN572B PSE-E 1xLED12S/830 C-Polar Normal (separate)



IFPS_DN572B PSE-E 1xLED24S/830 C-Polar Normal (separate)

LuxSpace square, recessed

