



# MASTER LEDspot PAR - The energy-saving alternative for lighting in public areas

## MASTER LEDspot PAR

With its robust design and warm-white beam of light, these new-generation PAR lamps are ideal for general lighting and spot lighting in the hospitality industry. There is a choice of dimmable and non-dimmable versions. They are especially suitable for public areas such as lobbies, corridors, stairwells, where the light is always on. Compatible with existing fixtures with an E27 holder and designed for retrofit replacement of halogen/incandescent lamps, MASTER LEDspot PAR deliver huge energy savings and minimize maintenance cost without any reduction in brightness. The IP44-rated outdoor version of the PAR 38 lamp is one of the few energy-saving alternatives to incandescent PAR38 outdoor lamps available today. The dimmable PAR 20 is a perfect replacement for an incandescent spot.

### Benefits

- Up to 80% energy saving compared to halogen lamps
- Retrofittable and compatible with existing fixtures with E27 holder
- Lower maintenance costs

### Features

- Lifetime of 45,000 hours
- Dimmable (except PAR38 OD)
- UV- and IR-free light for less heat and protection for heat-sensitive objects
- Free of mercury and hazardous materials

# MASTER LEDspot PAR

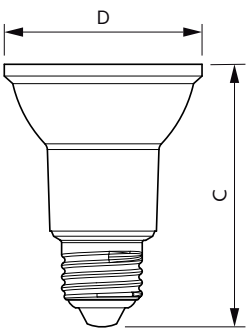
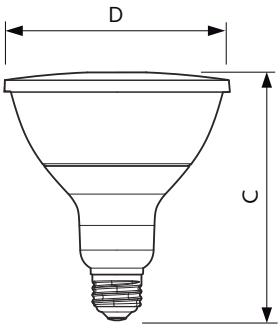
## Application

- Especially suitable for public areas like lobbies, corridors, stairwells and restaurants/bars

## Versions



## Dimensional drawing



Product	D	C
MAS LEDspot D 13-100W E27 927 PAR38 25D	122 mm	134 mm

Product	D	C
MAS LEDspot D 6-50W E27 827 PAR20 25D	64 mm	85 mm

# MASTER LEDspot PAR

## Controls and Dimming

Dimmable	Yes
----------	-----

## Operating and Electrical

Input Frequency	50 to 60 Hz
Voltage (Nom)	220-240 V
Starting Time (Nom)	0.5 s

## General Information

Cap-Base	E27
Nominal Lifetime (Nom)	25000 h
Switching Cycle	25,000X

## Light Technical

Beam Angle (Nom)	25 °
Correlated Colour Temperature (Nom)	2700 K
Llmf At End Of Nominal Lifetime (Nom)	70 %

## Temperature

T-Case Maximum (Nom)	80 °C
----------------------	-------

## Approval and Application

Order Code	Full Product Name	Energy Consumption kWh/1000 h
71408900	MAS LEDspot D 6-50W E27 827 PAR20 25D	6 kWh
71410200	MAS LEDspot D 13-100W E27 927 PAR38 25D	13 kWh

## Operating and Electrical

Order Code	Full Product Name	Wattage Equivalent	Power (Rated) (Nom)
71408900	MAS LEDspot D 6-50W E27 827 PAR20 25D	50 W	6 W

Order Code	Full Product Name	Wattage Equivalent	Power (Rated) (Nom)
71410200	MAS LEDspot D 13-100W E27 927 PAR38 25D	100 W	13 W

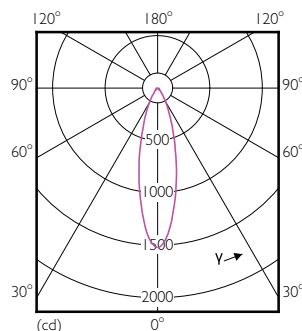
## Light Technical

Order Code	Full Product Name	Colour Code	Colour Rendering Index (Nom)	Luminous Flux (Nom)	Luminous Intensity (Nom)
71408900	MAS LEDspot D 6-50W E27 827 PAR20 25D	827	80	520 lm	1500 cd

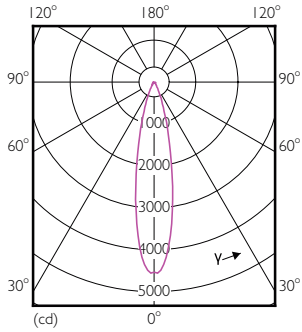
Order Code	Full Product Name	Colour Code	Colour Rendering Index (Nom)	Luminous Flux (Nom)	Luminous Intensity (Nom)
71410200	MAS LEDspot D 13-100W E27 927 PAR38 25D	927	90	1000 lm	4000 cd

## Mechanical and Housing

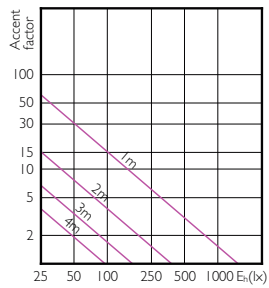
Order Code	Full Product Name	Bulb Shape
71408900	MAS LEDspot D 6-50W E27 827 PAR20 25D	PAR20
71410200	MAS LEDspot D 13-100W E27 927 PAR38 25D	PAR38



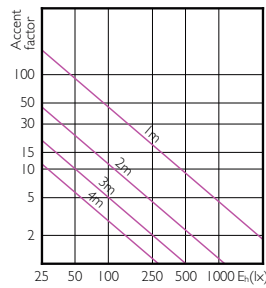
# MASTER LEDspot PAR



## Accent Diagrams

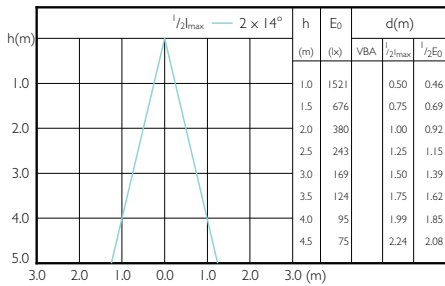


MASTER LEDspot PAR 50W E27 827 25D

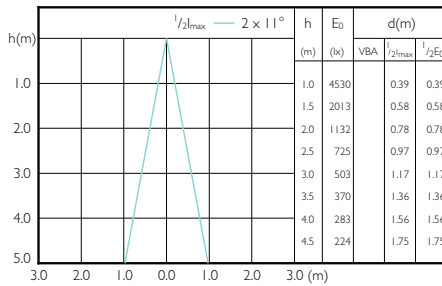


MASTER LEDspot PAR 100W E27 827 25D

## Beam Diagrams



MASTER LEDspot PAR 50W E27 827 25D



MASTER LEDspot PAR 100W E27 827 25D

