



HF-Regulator II for TL5 lamps – Dimming: a next step in energy saving

HF-Regulator II for TL5 lamps

High-frequency electronic dimming ballast, using the analog protocol (1-10 V) for TL5 HE/HO and TL5 Eco lamps

Benefits

- The lamp power can be dimmed from 1 to 100% via the Analog control input (in accordance with the 1-10 V industry standard)
- Compliant with European and Asian norms and suitable for emergency lighting systems
- HF operation improves light quality, lamp lifetime
- Combined with controls, additional energy savings can be achieved

Features

- Programmed start: flicker-free ignition < 0.5 seconds and striation-free operation, no stroboscopic effects. Preheating the lamp electrodes enables the lamps to be switched on and off without reducing life
- Smart power ensures constant light, independent of mains fluctuations
- Up to 60% reduction in energy consumption by using automatic lighting control systems
- Stop circuit is activated within 5 seconds in the event of lamp failure (safety stop), and ballast resets automatically after lamp replacement

Application

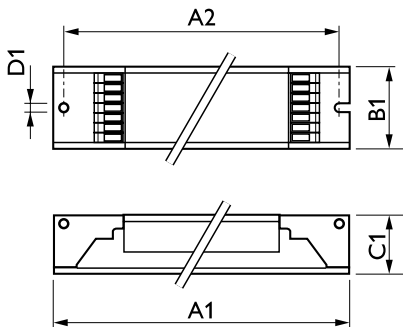
- Indoor, general and task lighting applications in combination with lighting control systems (personal control, daylight linking and/or movement detection)

HF-Regulator II for TL5 lamps

Versions



Dimensional drawing



Product	D1	C1	A1	A2	B1
HF-R 424 TL5/PL-L EII 220-240V 50/60Hz	4.2 mm	22 mm	359 mm	350 mm	39 mm
HF-R 149 TL5 EII 220-240V 50/60Hz	4.2 mm	22 mm	360 mm	350 mm	30 mm
HF-R 114-35 TL5 EII 220-240V 50/60Hz	4.2 mm	22 mm	360 mm	350 mm	30 mm
HF-R 249 TL5 EII 220-240V 50/60Hz	4.2 mm	22 mm	360 mm	350 mm	30 mm
HF-R 214-35 TL5 EII 220-240V 50/60Hz	4.2 mm	22 mm	360 mm	350 mm	30 mm
HF-R 414 TL5 EII 220-240V 50/60Hz	4.2 mm	22 mm	359 mm	350 mm	39 mm

Approval and Application

Energy Efficiency Index A1 BAT

Operating and Electrical

Input Frequency 50 to 60 Hz

Input Voltage 220 to 240 V

General Information

Order Code	Full Product Name	Number Of Products On		
		MCB (16A Type B) (Nom)	Number Of Lamps	Lamp Type
90998530	HF-R 149 TL5 EII 220-240V 50/60Hz	28	1 piece/unit	TL5
91003530	HF-R 249 TL5 EII 220-240V 50/60Hz	12	2 piece/unit	TL5
91364730	HF-R 414 TL5 EII 220-240V 50/60Hz	28	4 piece/unit	TL5

Order Code	Full Product Name	Number Of Products On		
		MCB (16A Type B) (Nom)	Number Of Lamps	Lamp Type
91374630	HF-R 424 TL5/PL-L EII 220-240V 50/60Hz	12	4 piece/unit	TL5/PL-L
91178030	HF-R 214-35 TL5 EII 220-240V 50/60Hz	12	2 piece/unit	TL5
91180330	HF-R 114-35 TL5 EII 220-240V 50/60Hz	28	1 piece/unit	TL5

Mechanical and Housing

HF-Regulator II for TL5 lamps

Order Code	Full Product Name	Housing
90998530	HF-R 149 TL5 EII 220-240V 50/60Hz	L 360x30x21
91003530	HF-R 249 TL5 EII 220-240V 50/60Hz	L 360x30x21
91364730	HF-R 414 TL5 EII 220-240V 50/60Hz	L 359x39x22

Order Code	Full Product Name	Housing
91374630	HF-R 424 TL5/PL-L EII 220-240V 50/60Hz	L 359x39x22
91178030	HF-R 2 14-35 TL5 EII 220-240V 50/60Hz	L 360x30x21
91180330	HF-R 1 14-35 TL5 EII 220-240V 50/60Hz	L 360x30x21

System characteristics

Order Code	Full Product Name	Rated Ballast-Lamp Power
90998530	HF-R 149 TL5 EII 220-240V 50/60Hz	49 W
91003530	HF-R 249 TL5 EII 220-240V 50/60Hz	49 W
91364730	HF-R 414 TL5 EII 220-240V 50/60Hz	14 W

Order Code	Full Product Name	Rated Ballast-Lamp Power
91374630	HF-R 424 TL5/PL-L EII 220-240V 50/60Hz	24 W
91178030	HF-R 2 14-35 TL5 EII 220-240V 50/60Hz	14-35 W
91180330	HF-R 1 14-35 TL5 EII 220-240V 50/60Hz	14-35 W

