

# An energy-efficient solution

## EB-Certalume for TL-D lamps

EB-Certalume is the most cost-effective, slim and affordable ballast for reliable operation of a fluorescent lamp. It is also the ideal entry-level product for electromagnetic system users who want to enjoy the benefits offered by electronic ballasts. The cost-saving and reliable EB-Certalume has energy efficiency class A2, and its robust design meets all relevant international safety and performance standards. EB-Certalume is intended for use with indoor lighting fixtures such as recessed luminaires, which are widely used in office, industrial, hotel, restaurant and other applications.

### Benefits

- Automatic restart (after voltage dip or lamp replacement) ensures easy operation and hassle-free re-lamping
- DC emergency operation and EMC-compliant to EN 55015 2006 + A1 2007
- Suitable for luminaires in protection class I and, after testing, class II

### Features

- Energy efficiency: CELMA A2
- Compliant with CCC certificate, including safety according to IEC 61347
- Robust design for 20,000 hours lifetime with a failure rate of 0.3% per 1,000 hours at  $T_c \text{ max} = 75^\circ\text{C}$
- Reduced lamp preheating for min. 3,000 on/off switches on one lamp without replacement of lamps
- EMC-compliant to EN 55015 2006 + A1 2007

### Application

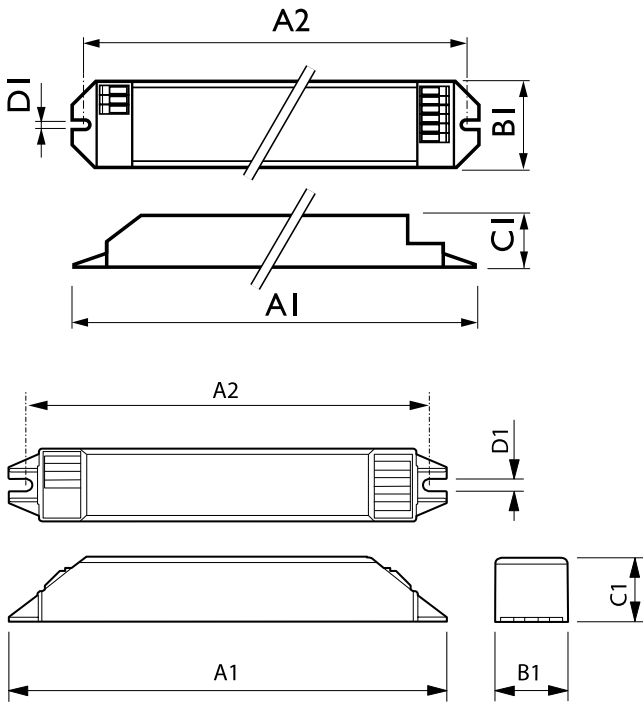
- Ideal for applications with long burning hours and infrequent on/off switching activity
- Professional indoor applications (e.g. offices and hotels), department stores, shops, supermarkets and public areas and indoor lighting boxes and homes

# EB-Certalume for TL-D lamps

## Versions



## Dimensional drawing



Product	D1	C1	A1	A2	B1
EB-C 236 TL-D 220-240V 50/60Hz	4.2 mm	30.0 mm	210.0 mm	200.0 mm	40.0 mm
EB-C 136 TL-D 220-240V 50/60Hz	4.2 mm	28.0 mm	150.0 mm	140.0 mm	40.0 mm
EB-C 118 TL-D 220-240V 50/60Hz	4.2 mm	28.0 mm	150.0 mm	140.0 mm	40.0 mm

Product	A1	A2	B1	C1	D1
EB-Ci 1-2 36W / 1-4 18W 220-240V 50/60Hz	210 mm	200 mm	30 mm	26 mm	4.3 mm

### Approval and Application

Energy Efficiency Index A2

### General Information

Lamp Type TL-D

## Operating and Electrical

Order Code	Full Product Name	Input Frequency	Input Voltage
13353600	EB-Ci 1-2 36W / 1-4 18W 220-240v 50/60Hz	50 or 60 Hz	220-240 V
85877800	EB-C 118 TL-D 220-240V 50/60Hz	50 to 60 Hz	220 to 240 V

Order Code	Full Product Name	Input Frequency	Input Voltage
85878500	EB-C 136 TL-D 220-240V 50/60Hz	50 to 60 Hz	220 to 240 V
85880800	EB-C 236 TL-D 220-240V 50/60Hz	50 to 60 Hz	220 to 240 V

## EB-Certalume for TL-D lamps

### General Information

Order Code	Full Product Name	Number Of	Number Of	Number Of
		Products On	Products On	
		MCB (16A	MCB (16A	Lamps
		Type B) (Max)	Type B) (Nom)	
13353600	EB-Ci 1-2 36W / 1-4 18W 220-240v 50/60Hz	28	-	1-4 piece/unit
85877800	EB-C 118 TL-D 220-240V 50/60Hz	-	25	1 piece/unit

Order Code	Full Product Name	Number Of	Number Of	Number Of
		Products On	Products On	
		MCB (16A	MCB (16A	Lamps
		Type B) (Max)	Type B) (Nom)	
85878500	EB-C 136 TL-D 220-240V 50/60Hz	-	18	1 piece/unit
85880800	EB-C 236 TL-D 220-240V 50/60Hz	-	28	2 piece/unit

### Mechanical and Housing

Order Code	Full Product Name	Housing
13353600	EB-Ci 1-2 36W / 1-4 18W 220-240v 50/60Hz	L210x30x26mm
85877800	EB-C 118 TL-D 220-240V 50/60Hz	L 150x40x28

Order Code	Full Product Name	Housing
85878500	EB-C 136 TL-D 220-240V 50/60Hz	L 150x40x28
85880800	EB-C 236 TL-D 220-240V 50/60Hz	L 210x40x30

### System characteristics

Order Code	Full Product Name	Lamp Power On	Rated Ballast-
		TL-D	Lamp Power
13353600	EB-Ci 1-2 36W / 1-4 18W 220-240v 50/60Hz	18.0-31.0 W	-
85877800	EB-C 118 TL-D 220-240V 50/60Hz	16.9 W	18 W

Order Code	Full Product Name	Lamp Power On	Rated Ballast-
		TL-D	Lamp Power
85878500	EB-C 136 TL-D 220-240V 50/60Hz	32.6 W	36 W
85880800	EB-C 236 TL-D 220-240V 50/60Hz	61.6 W	36 W

