



Xtreme drivers for maximum energy savings

DynaVision Programmable Xtreme for CPO

Highly reliable and flexible electronic drivers for CPO lamps; designed to save on energy costs via integrated controls and to reduce maintenance costs thanks to 80,000-hour lifetime and integrated lightning protection. The DynaVision Programmable product family is the perfect basis for any sort of lighting management solution.

Benefits

- Enables 2-way communication with the lighting network (via DALI)
- Minimizes maintenance cost due to the Xtreme lifetime of 80,000 hours and the integrated lightning protection
- Together with the CPO lamp the driver creates the most efficient white-light system in the industry in its power range

Features

- Programmable by means of standard digital interface (DALI) and controllable via DALI protocol
- Integrates several control options (DynaDimmer, LineSwitch, AmpDim, Constant Light Output, Adjustable Light Output)
- Longest lifetime for electronic drivers: 80,000 hours with minimum 90% survival at $T_c = 80\text{ }^\circ\text{C}$
- Xtreme lightning protection 10 kV/5 kA
- Accurate lamp power stabilization of 95-97% over wide mains-voltage range of 180-300 V

DynaVision Programmable Xtreme for CPO

Application

- Road lighting
- Residential lighting
- City beautification

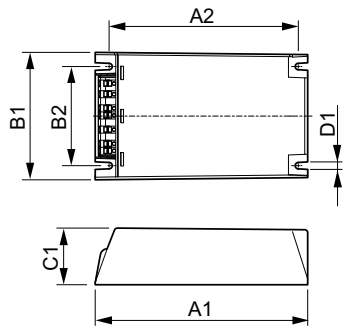
Versions



GPPR IDVLSCPO 0002

Dimensional drawing

Λ 2



Product	D1	C1	A1	A2	B1	B2
HID-DV PROG Xt 90 CPO C1 208-277V	5.0 mm	65.0 mm	150.0 mm	135.9 mm	65.0 mm	46.8 mm

Product	D1	C1	A1	A2	B1	B2
HID-DV PROG Xt 140 CPO Q 208-277V	4.5 mm	40.0 mm	150.0 mm	133.6 mm	90.0 mm	70.0 mm

DynaVision Programmable Xtreme for CPO

Operating and Electrical

Input Frequency	50 to 60 Hz
Input Voltage	208-240-277 V
Line Frequency	50 to 60 Hz
Number of Products on MCB (16A Type B) (Nom)	5

Mechanical and Housing

Order Code	Full Product Name	Housing	Order Code	Full Product Name	Housing
20455800	HID-DV PROG Xt 90 CPO C1 208-277V	C1	24153900	HID-DV PROG Xt 140 CPO L1 208-277V	Q

