



Perfect sparkle, unrivalled efficiency

MASTERColour CDM-T Elite

Single-ended, very high-efficiency, long-life Ceramic Metal Halide discharge lamp producing crisp white sparkling light with high color rendering

Benefits

- High-intensity beam of crisp white sparkling light makes merchandise look irresistible
- Stable color and lumen output over life keeps your store attractive season after season
- Lowest Total Cost of Ownership as a result of high efficacy (same light, less energy or same energy, more light) and long life

Features

- Crisp white sparkling light
- Excellent color rendering, with extra red
- High efficacy with unparalleled lumen maintenance
- Stable color performance over lifetime
- UV-blocking glass

Application

- Accent and display lighting in retail
- General and decorative indoor lighting
- Outdoor area lighting

MASTERColour CDM-T Elite

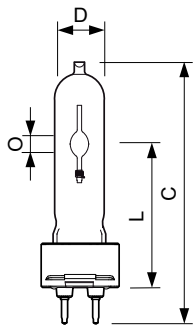
Warnings and Safety

- Use only in totally enclosed luminaire, even during testing (IEC61167, IEC 62035, IEC60598)
- The luminaire must be able to contain hot lamp parts if the lamp ruptures
- Use only with electronic control gear. 35W & 70W lamps may also use electromagnetic gear.
- Control gear must include end-of-life protection (IEC61167, IEC 62035)
- A lamp breaking is extremely unlikely to have any impact on your health. If a lamp breaks, ventilate the room for 30 minutes and remove the parts, preferably with gloves. Put them in a sealed plastic bag and take it to your local waste facilities for recycling. Do not use a vacuum cleaner.

Versions



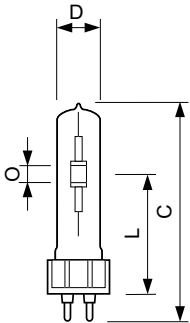
Dimensional drawing



Product	D (max)	O	L (min)	L (max)	L	C (max)
MASTERColour CDM-T Elite 50W/942 G12 1CT	20 mm	7.1 mm	55 mm	57 mm	56 mm	103 mm
MASTERColour CDM-T Elite 35W/930 G12 1CT/12	20 mm	4.8 mm	55 mm	57 mm	56 mm	103 mm
MASTERColour CDM-T Elite 35W/930 G12 1CT/12	20 mm	4.8 mm	55 mm	57 mm	56 mm	103 mm
MASTERColour CDM-T Elite 70W/930 G12 1CT/12	20 mm	7.15 mm	55 mm	57 mm	56 mm	103 mm
MASTERColour CDM-T Elite 70W/930 G12 1CT/12	20 mm	7.15 mm	55 mm	57 mm	56 mm	103 mm
MASTERColour CDM-T Elite 50W/930 G12 1CT/12	20 mm	6 mm	55 mm	57 mm	56 mm	103 mm
MASTERColour CDM-T Elite 35W/942 G12 1CT	20 mm	5.2 mm	55 mm	57 mm	56 mm	103 mm
MASTERColour CDM-T Elite 70W/942 G12 1CT	20 mm	7.75 mm	55 mm	57 mm	56 mm	103 mm

MASTERCcolour CDM-T Elite

Dimensional drawing



Product	D (max)	O	L (min)	L (max)	L	C (max)
MASTERColour CDM-T Elite 150W/930 G12 1CT/12	20 mm	9 mm	55 mm	57 mm	56 mm	110 mm

Approval and Application	
Energy Efficiency Label (EEL)	A+
Controls and Dimming	
Dimmable	No
Operating and Electrical	
Re-ignition Time (Min) (Max)	15 min
General Information	
Cap-Base	G12
Mechanical and Housing	
Bulb Finish	Clear
Bulb Shape	T19

Approval and Application

Order Code	Full Product Name	Energy Consumption kWh/ 1000 h	Mercury (Hg) Content (Nom)
20159500	MASTERColour CDM-T Elite 50W/942 G12 1CT	55 kWh	5.7 mg
93060300	MASTERColour CDM-T Elite 50W/930 G12 1CT/12	55 kWh	6.6 mg
21312915	MASTERC CDM-T ELITE 150W/930 G12 1CT/12	164 kWh	9.5 mg
48451700	MASTERColour CDM-T Elite 35W/930 G12 1CT/12	43 kWh	4.7 mg
91137400	MasterC CDM-T Elite 35W/930 G12 1CT/12	43 kWh	4.7 mg

Order Code	Full Product Name	Energy Consumption kWh/ 1000 h	Mercury (Hg) Content (Nom)
48453100	MASTERColour CDM-T Elite 35W/942 G12 1CT	43 kWh	4.9 mg
48455500	MASTERColour CDM-T Elite 70W/930 G12 1CT/12	80 kWh	6.6 mg
91141100	MASTERColour CDM-T Elite 70W/930 G12 1CT/12	80 kWh	6.6 mg
48457900	MASTERColour CDM-T Elite 70W/942 G12 1CT	80 kWh	6.6 mg

Operating and Electrical

Order Code	Full Product Name	Lamp Current (EM) (Nom)	Voltage (Max)	Voltage (Min)	Voltage (Nom)	Power (Rated) (Min)	Power (Rated) (Nom)
20159500	MASTERColour CDM-T Elite 50W/942 G12 1CT	-	97 V	85 V	91 V	50.0 W	50.2 W
93060300	MASTERColour CDM-T Elite 50W/930 G12 1CT/12	-	96 V	84 V	90 V	50.0 W	50.2 W

MASTERCcolour CDM-T Elite

Order Code	Full Product Name	Lamp Current (EM)					
		(Nom)	Voltage (Max)	Voltage (Min)	Voltage (Nom)	Power (Rated) (Min)	Power (Rated) (Nom)
21312915	MASTERC CDM-T ELITE 150W/930 G12 1CT/12	-	98 V	86 V	92 V	-	150.1 W
48451700	MASTERCcolour CDM-T Elite 35W/930 G12 1CT/12	0.500 A	90 V	80 V	85 V	-	39.1 W
91137400	MasterC CDM-T Elite 35W/930 G12 1CT/12	0.500 A	90 V	80 V	85 V	-	39.1 W
48453100	MASTERCcolour CDM-T Elite 35W/942 G12 1CT	0.51 A	96 V	84 V	90 V	-	39.1 W
48455500	MASTERCcolour CDM-T Elite 70W/930 G12 1CT/12	1 A	90 V	79 V	85 V	-	73.2 W
91141100	MASTERCcolour CDM-T Elite 70W/930 G12 1CT/12	1 A	90 V	79 V	85 V	-	73.2 W
48457900	MASTERCcolour CDM-T Elite 70W/942 G12 1CT	0.97 A	93 V	81 V	87 V	-	73.2 W

General Information

Order Code	Full Product Name	Life To Failures				Operating Position
		Life To 10% Failures (Nom)	Life To 20% Failures (Nom)	Life To 50% Failures (Nom)	Life To 5% Failures (Nom)	
20159500	MASTERCcolour CDM-T Elite 50W/942 G12 1CT	10000 h	12000 h	15000 h	9000 h	UNIVERSAL
93060300	MASTERCcolour CDM-T Elite 50W/930 G12 1CT/12	14000 h	16000 h	20000 h	12000 h	UNIVERSAL
21312915	MASTERC CDM-T ELITE 150W/930 G12 1CT/12	10000 h	11000 h	12000 h	9000 h	P10
48451700	MASTERCcolour CDM-T Elite 35W/930 G12 1CT/12	14000 h	16000 h	20000 h	12000 h	UNIVERSAL
91137400	MasterC CDM-T Elite 35W/930 G12 1CT/12	14000 h	16000 h	20000 h	12000 h	UNIVERSAL
48453100	MASTERCcolour CDM-T Elite 35W/942 G12 1CT	10000 h	12000 h	15000 h	9000 h	UNIVERSAL
48455500	MASTERCcolour CDM-T Elite 70W/930 G12 1CT/12	14000 h	16000 h	20000 h	12000 h	UNIVERSAL
91141100	MASTERCcolour CDM-T Elite 70W/930 G12 1CT/12	14000 h	16000 h	20000 h	12000 h	UNIVERSAL
48457900	MASTERCcolour CDM-T Elite 70W/942 G12 1CT	10000 h	12000 h	15000 h	9000 h	UNIVERSAL

Luminaire Design Requirements

Order Code	Full Product Name	Bulb Temperature	
		(Max)	(Max)
20159500	MASTERCcolour CDM-T Elite 50W/942 G12 1CT	500 °C	500 °C
93060300	MASTERCcolour CDM-T Elite 50W/930 G12 1CT/12	500 °C	500 °C
21312915	MASTERC CDM-T ELITE 150W/930 G12 1CT/12	650 °C	650 °C
48451700	MASTERCcolour CDM-T Elite 35W/930 G12 1CT/12	500 °C	500 °C
91137400	MasterC CDM-T Elite 35W/930 G12 1CT/12	500 °C	500 °C

Light Technical (1/2)

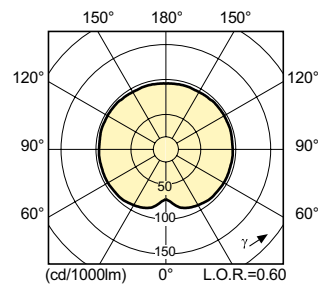
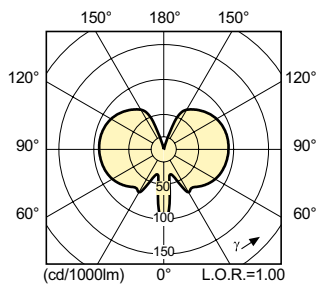
Order Code	Full Product Name	Chromaticity		Colour Code	Colour Designation	Correlated Colour Temperature (Nom)	Colour Rendering	
		Coordinate X (Nom)	Coordinate Y (Nom)				Index (Min)	Index (Nom)
20159500	MASTERCcolour CDM-T Elite 50W/942 G12 1CT	0.363	0.361	942	Cool White (CW)	4200 K	87	90
93060300	MASTERCcolour CDM-T Elite 50W/930 G12 1CT/12	0.435	0.396	930	Warm White (WW)	3000 K	87	90
21312915	MASTERC CDM-T ELITE 150W/930 G12 1CT/12	0.443	0.391	930	Warm White (WW)	3000 K	89	92
48451700	MASTERCcolour CDM-T Elite 35W/930 G12 1CT/12	0.435	0.395	930	Warm White (WW)	3000 K	87	90
91137400	MasterC CDM-T Elite 35W/930 G12 1CT/12	0.435	0.395	930	Warm White (WW)	3000 K	87	90
48453100	MASTERCcolour CDM-T Elite 35W/942 G12 1CT	0.366	0.364	942	Cool White (CW)	4200 K	87	90
48455500	MASTERCcolour CDM-T Elite 70W/930 G12 1CT/12	0.435	0.396	930	Warm White (WW)	3000 K	87	90

MASTERCcolour CDM-T Elite

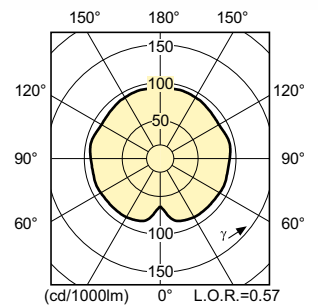
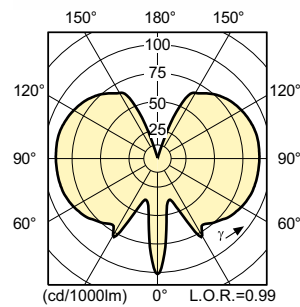
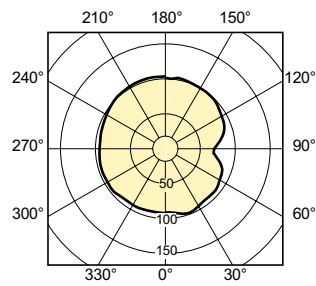
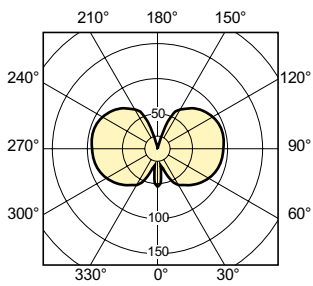
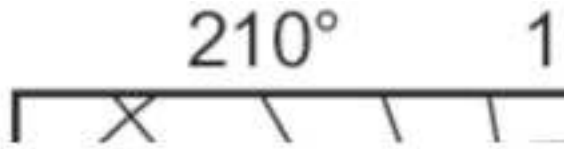
Order Code	Full Product Name	Chromaticity	Chromaticity	Colour Code	Colour Designation	Correlated Colour Temperature (Nom)	Colour	Colour
		Coordinate X (Nom)	Coordinate Y (Nom)				Rendering Index (Min)	Rendering Index (Nom)
91141100	MASTERCcolour CDM-T Elite 70W/930 G12 1CT/12	0.435	0.396	930	Warm White (WW)	3000 K	87	90
48457900	MASTERCcolour CDM-T Elite 70W/942 G12 1CT	0.362	0.363	942	Cool White (CW)	4200 K	87	90

Light Technical (2/2)

Order Code	Full Product Name	Lumen	Lumen	Lumen	Lumen	Lumen	Lumen	Luminous	Luminous
		Maintenance 1000 h (Nom)	Maintenance 10000 h (Nom)	Maintenance 12000 h (Nom)	Maintenance 2000 h (Nom)	Maintenance 4000 h (Nom)	Maintenance 5000 h (Nom)	Efficacy (rated) (Nom)	Flux (Rated) (Nom)
20159500	MASTERCcolour CDM-T Elite 50W/942 G12 1CT	93 %	84 %	83 %	91 %	88 %	87 %	101 lm/W	5050 lm
93060300	MASTERCcolour CDM-T Elite 50W/930 G12 1CT/12	97 %	83 %	82 %	95 %	90 %	88 %	108 lm/W	5450 lm
21312915	MASTERC CDM-T ELITE 150W/930 G12 1CT/12	95 %	75 %	73 %	91 %	86 %	84 %	98 lm/W	14600 lm
48451700	MASTERCcolour CDM-T Elite 35W/930 G12 1CT/12	95 %	83 %	80 %	93 %	90 %	88 %	98 lm/W	4050 lm
91137400	MasterC CDM-T Elite 35W/930 G12 1CT/12	95 %	83 %	80 %	93 %	90 %	88 %	98 lm/W	4050 lm
48453100	MASTERCcolour CDM-T Elite 35W/942 G12 1CT	89 %	73 %	71 %	84 %	80 %	79 %	98 lm/W	3850 lm
48455500	MASTERCcolour CDM-T Elite 70W/930 G12 1CT/12	97 %	83 %	82 %	95 %	90 %	88 %	103 lm/W	7800 lm
91141100	MASTERCcolour CDM-T Elite 70W/930 G12 1CT/12	97 %	83 %	82 %	95 %	90 %	88 %	103 lm/W	7800 lm
48457900	MASTERCcolour CDM-T Elite 70W/942 G12 1CT	91 %	80 %	79 %	88 %	85 %	84 %	100 lm/W	7500 lm



MASTERColour CDM-T Elite



MASTERColour CDM-T Elite

